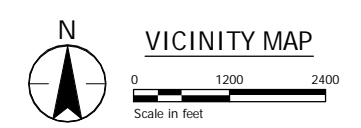
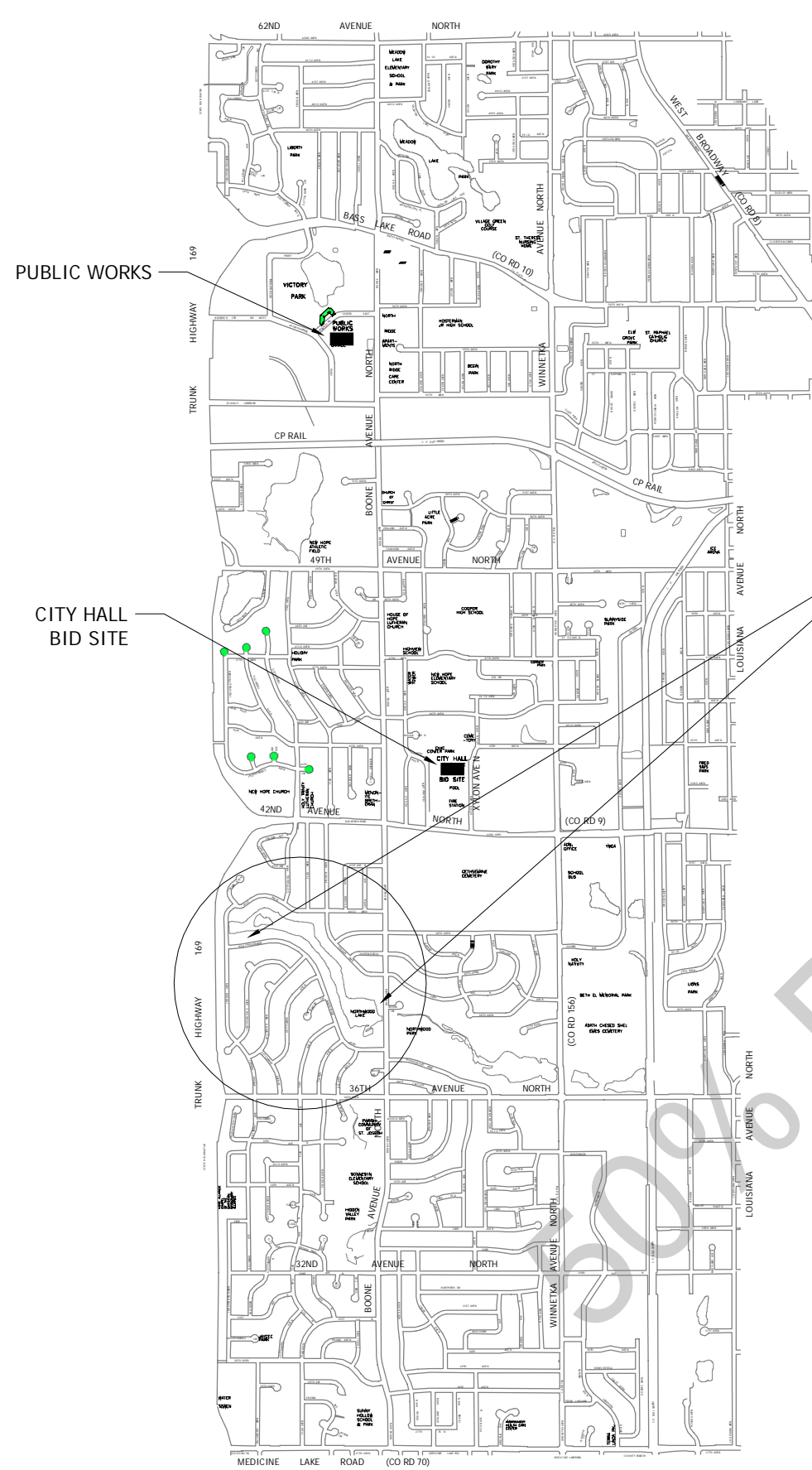


THE CONTRACTOR SHALL VERIFY AND BE RESPONSIBLE FOR ALL DIMENSIONS. DO NOT SCALE THE DRAWING. ANY ERRORS OR OMISSIONS SHALL BE REPORTED TO STANTEC IMMEDIATELY. THIS DRAWING IS FOR USE FOR ANY PURPOSE OTHER THAN THAT AUTHORIZED BY STANTEC STOREBOOK.

Plot Date: 08/28/2015 - 9:46am
 Drawing name: V:\193802816\CAD\DWG\193802816_001.dwg
 User: jordan



CITY OF NEW HOPE

2016 NORTHWOOD LAKE IMPROVEMENTS

CITY PROJECT NUMBER 938

2016

SHEET INDEX

- G0.01 TITLE SHEET
- G0.02 LEGEND
- G0.03 STORM SCHEDULE
- G0.04 HAUL ROUTES/LOCATION MAP

- C0.01 REMOVALS - CONCEPT C
- C0.02 REMOVALS - CONCEPT A
- C1.01 TYPICAL SECTIONS
- C2.01 TEMPORARY EROSION CONTROL - CONCEPT C
- C2.02 TEMPORARY EROSION CONTROL - CONCEPT A
- C2.03 PERMANENT EROSION CONTROL - CONCEPT C
- C2.04 PERMANENT EROSION CONTROL - CONCEPT A
- C3.01 GRADING PLAN - CONCEPT C
- C3.02 GRADING PLAN - CONCEPT A
- C3.03 GRADING TYPICAL SECTIONS
- C4.01 WATER MAIN IMPROVEMENTS - CONCEPT A
- C5.01 STORM WATER IMPROVEMENTS - CONCEPT C
- C5.02 STORM WATER IMPROVEMENTS - CONCEPT C
- C5.03 STORM WATER IMPROVEMENTS - CONCEPT A
- C6.01 NOT YET INCLUDED
- C8.01 CONSTRUCTION DETAILS
- C8.02 CONSTRUCTION DETAILS
- C8.03 CONSTRUCTION DETAILS

- L5.01 LANDSCAPE PLANS

- P1.01 STORAGE TANK PROCESS - CONCEPT A
- P4.01 STORMWATER IRRIGATION FORCEMAIN PLAN & PROFILE
- P8.01 STORAGE TANK DETAILS

26 - SHEETS TOTAL

KATHI HEMKEN	MAYOR
JOHN ELDER	COUNCILMEMBER
ANDY HOFFE	COUNCILMEMBER
ERIC LAMMLE	COUNCILMEMBER
JONATHAN LONDON	COUNCILMEMBER
KIRK McDONALD	CITY MANAGER
BOB PASCHKE	PUBLIC WORKS DIRECTOR
STEVE SONDRALL	CITY ATTORNEY
SUSAN RADAR	PARKS AND RECREATION DIRECTOR

Item 5G.
 BCWMC 9-17-15
 Full Plan Set



Stantec
 2335 Highway 36 W
 St. Paul, MN 55113
 www.stantec.com

DATE: _____ L.C. NO. _____

SIGNATURE: _____

PRINT NAME: _____

NEW HOPE, MINNESOTA
 2016 NORTHWOOD LAKE IMPROVEMENTS
 CITY PROJECT NO. 938
 TITLE SHEET

NO.	REVISION	DATE

SURVEY	
DRAWN	
DESIGNED	CWL
CHECKED	CWL
APPROVED	CWL
PROJ. NO.	193802816
SHEET NUMBER	G0.01

THE CONTRACTOR SHALL VERIFY AND BE RESPONSIBLE FOR ALL DIMENSIONS DO NOT SCALE THE DRAWING. ANY ERRORS OR OMISSIONS SHALL BE REPORTED TO STANTEC IMMEDIATELY. THIS DRAWING IS NOT TO BE REPRODUCED OR COPIED IN ANY MANNER WITHOUT THE WRITTEN PERMISSION OF STANTEC. ANY USE FOR ANY PURPOSE OTHER THAN THAT AUTHORIZED BY STANTEC IS FORBIDDEN.

Plot Date: 08/28/2016 - 11:35am
 Drawing Name: V:\19380\active\193802816\CAD\DWG\193802816_G03.dwg
 User: 193802816_BORDR 193802816_XSMT 193802816_XSMT 193802816_XSMT

STORM SEWER SCHEDULE - JORDAN POND					
STRUCTURE	TYPE	DETAIL	CASTING	DIA	COMMENTS
CB-1	CB	C8.01	R-3290-VB	2'x3'	
CB-2	CB	C8.01	R-3290-VB	2'x3'	
CB-3	CB	C8.01	R-3290-VB	2'x3'	
CB-4	CB	C8.01	R-3290-VB	2'x3'	
CB-5	CB	C8.01	R-3290-VB	2'x3'	3' SUMP
CB-6	CB	C8.01	R-3290-VB	6'	5' SUMP
CB-7	CB	C8.01	R-3290-VB	2'x3'	
CB-8	CB	C8.01	R-3290-VB	2'x3'	
FES-9	FES	C8.02	-	-	
OCS-10	OCS	C8.03	R-4342	6'	5' SUMP
STMH-11	MH	C8.01	R-1642-B	6'	3' SUMP
CB-12	CB	C8.01	R-3290-VB	2'x3'	
CB-13	CB	C8.01	R-3290-VB	2'x3'	
FES-14	FES	C8.02	-	-	

STORM SEWER SCHEDULE - BOONE AVE AND NORTHWOOD PARK					
STRUCTURE	TYPE	DETAIL	CASTING	DIA	COMMENTS
MH-20	MH	C8.01	R-1642-B	6'	
MH-21	MH	C8.01	R-1642-B	6'	
MH-22	MH	C8.01	R-1642-B	10'	STORM INTERCEPTOR
MH-24	MH	C8.01	R-1642-B	4'	
FES-5	FES	C8.02	-	-	TRASH GUARD
OCS-1	OCS	C8.03	R-4342	27"	
FES-6	FES	C8.02	-	-	TRASH GUARD
OCS-2	OCS	C8.03	R-4342	4'	
MH-25	MH	C8.01	R-1642-B	4'	
FES-7	FES	C8.02	-	-	TRASH GUARD
OCS-3	OCS	C8.03	R-4342	4'	
FES-4	FES	C8.02	-	-	TRASH GUARD



I HEREBY CERTIFY THAT THIS PLAN, SPECIFICATION OR REPORT WAS PREPARED BY ME OR UNDER MY DIRECT SUPERVISION AND THAT I AM A DULY LICENSED PROFESSIONAL ENGINEER UNDER THE LAWS OF THE STATE OF MINNESOTA.
 PRINT NAME: _____ LIC. NO. _____
 SIGNATURE: _____ DATE: _____

NEW HOPE, MINNESOTA
 2016 NORTHWOOD LAKE IMPROVEMENTS
 CITY PROJECT NO. 938
 STORM SCHEDULE

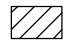
NO	REVISION	DATE

SURVEY	
DRAWN	BJH
DESIGNED	CWL
CHECKED	CWL
APPROVED	CWL
PROJ. NO.	193802816

SHEET NUMBER
G0.03

THE CONTRACTOR SHALL VERIFY AND BE RESPONSIBLE FOR ALL DIMENSIONS. DO NOT SCALE THE DRAWING. ANY ERRORS OR OMISSIONS SHALL BE REPORTED TO STANTEC IMMEDIATELY. NO REPRODUCTION OR USE FOR ANY PURPOSE OTHER THAN THAT AUTHORIZED BY STANTEC IS FORBIDDEN.

Plot Date: 08/28/2016 - 9:37am
 Drawing Name: \\193802816\CAD\Drawings\193802816_G04.dwg
 User: 193802816_BORDER_193802816_0001_193802816_0001

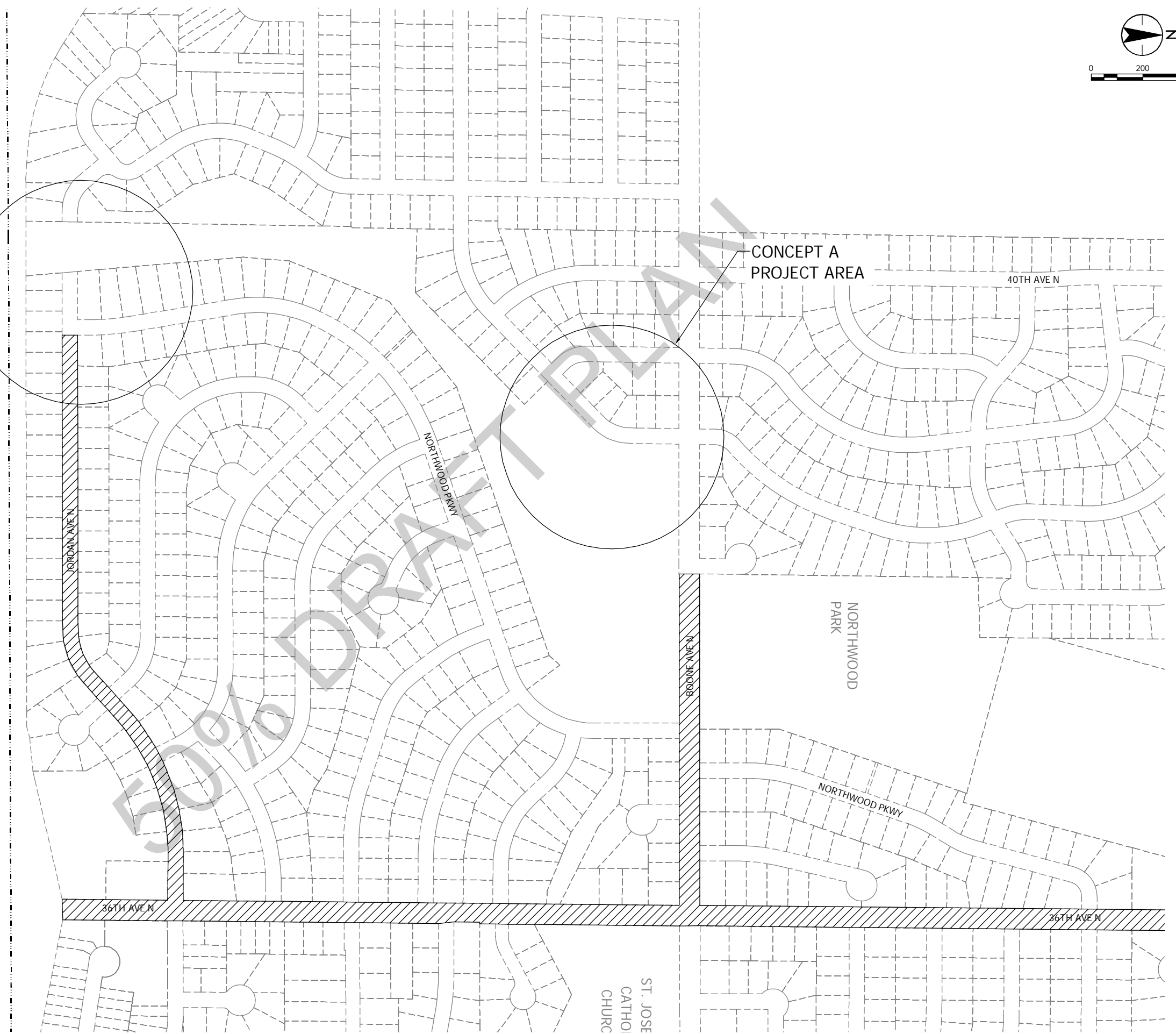
 PROPOSED HAUL ROUTES

GENERAL CONSTRUCTION NOTES:

1. NEWLY CONSTRUCTED ROADS SHALL NOT BE USED AS HAUL ROUTES.
2. CONSTRUCTION SEQUENCING AND HAUL ROUTES TO BE REVIEWED AND APPROVED BY ENGINEER.
3. ALL WORK SHALL BE COORDINATED WITH THE POSTAL SERVICE, GARBAGE SERVICE, SCHOOL DISTRICT, AND EMERGENCY SERVICES TO MAINTAIN SERVICE THROUGHOUT THE PROJECT

CONCEPT C
PROJECT AREA

CONCEPT A
PROJECT AREA



ST. JOSE
CATHOLIC
CHURCH



I HEREBY CERTIFY THAT THIS PLAN, SPECIFICATION OR REPORT WAS PREPARED BY ME OR UNDER MY DIRECT SUPERVISION AND THAT I AM A DULY LICENSED PROFESSIONAL ENGINEER UNDER THE LAWS OF THE STATE OF MINNESOTA.
 PRINT NAME: _____
 SIGNATURE: _____
 DATE: _____ LIC. NO. _____

NEW HOPE, MINNESOTA
 2016 NORTHWOOD LAKE IMPROVEMENTS
 CITY PROJECT NO. 938
 HAUL ROUTES/LOCATION PLAN

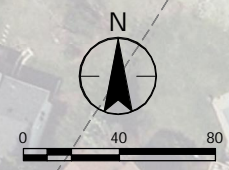
NO.	REVISION	DATE

SURVEY	
DRAWN	B.J.H.
DESIGNED	C.W.L.
CHECKED	C.W.L.
APPROVED	C.W.L.
PROJ. NO.	193802816

SHEET NUMBER
G0.04

THE CONTRACTOR SHALL VERIFY AND BE RESPONSIBLE FOR ALL DIMENSIONS. DO NOT SCALE THE DRAWING. ANY ERRORS OR OMISSIONS SHALL BE REPORTED TO STANTEC IMMEDIATELY. REPRODUCTION OR USE FOR ANY PURPOSE OTHER THAN THAT AUTHORIZED BY STANTEC IS FORBIDDEN.

Plot Date: 08/28/2016 - 7:55am
Drawing Name: V:\193802816\CAD\Drawings\193802816_C002.dwg
User: 193802816 BORDER: 193802816_XSCT: 193802816_XSPT



NOTES:
1. ALL BITUMINOUS PAVEMENT SHOWN TO BE REMOVED SHALL BE SAWCUT FULL-DEPTH IN STRAIGHT AND/OR PERPENDICULAR LINES PRIOR TO REPLACEMENT.
2. BITUMINOUS PAVEMENT SHALL BE REMOVED ON BOONE AVENUE SHALL MAINTAIN 2-WAY TRAFFIC WITH MIN. 12' LANE WIDTH IN EACH DIRECTION.

Stantec
2335 Highway 36 W
St. Paul, MN 55113
www.stantec.com

I HEREBY CERTIFY THAT THIS PLAN, SPECIFICATION OR REPORT WAS PREPARED BY ME OR UNDER MY DIRECT SUPERVISION AND THAT I AM A DULY LICENSED PROFESSIONAL ENGINEER UNDER THE LAWS OF THE STATE OF MINNESOTA.
PRINT NAME: _____ LIC. NO. _____
SIGNATURE: _____
DATE: _____

NEW HOPE, MINNESOTA
2016 NORTHWOOD LAKE IMPROVEMENTS
CITY PROJECT NO. 938
REMOVAL AND DEMOLITION PLAN

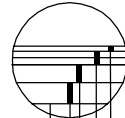
NO.	REVISION	DATE

SURVEY	ACD
DRAWN	ACD
DESIGNED	CWL
CHECKED	CWL
APPROVED	CWL
PROJ. NO.	193802816
SHEET NUMBER	C0.02

THE CONTRACTOR SHALL VERIFY AND BE RESPONSIBLE FOR ALL DIMENSIONS. DO NOT SCALE THE DRAWING. ANY ERRORS OR OMISSIONS SHALL BE REPRODUCED AS STANTEC WHOLESALY, OR FOR USE FOR ANY PURPOSE OTHER THAN THAT AUTHORIZED BY STANTEC'S FORD/ODR/ST/000000.

JORDAN & NORTHWOOD AVENUE N

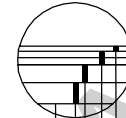
BITUMINOUS STREET PATCHING SECTION



- MATCH EXISTING (ANTICIPATE 1.5") - TYPE 12.5 WEARING MIXTURE
- MATCH EXISTING (ANTICIPATE 2.0") - TYPE 12.5 NON-WEARING MIXTURE MIN. PLACEMENT IN TWO LIFTS
- MATCH EXISTING (ANTICIPATE 8") - AGGREGATE BASE
- MATCH EXISTING - SELECT GRANULAR BORROW
- GEOTEXTILE FABRIC, TYPE 5

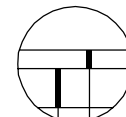
BOONE, HOPEWOOD, & ENSIGN AVENUE NORTH

BITUMINOUS STREET PATCHING SECTION



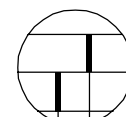
- MATCH EXISTING (ANTICIPATE 2") - TYPE 12.5 WEARING MIXTURE
- MATCH EXISTING (ANTICIPATE 5") - TYPE 12.5 NON-WEARING MIXTURE MIN. PLACEMENT IN TWO LIFTS
- MATCH EXISTING (ANTICIPATE 8") - AGGREGATE BASE
- MATCH EXISTING - SELECT GRANULAR BORROW
- GEOTEXTILE FABRIC, TYPE 5

BITUMINOUS DRIVEWAY/TRAIL SECTION



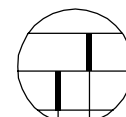
- 3" - WEARING COURSE (SPWEA240B)
- 6" CLASS 5 AGGREGATE BASE

RESIDENTIAL CONCRETE DRIVEWAY APRON SECTION



- 6" CONCRETE PAVEMENT
- 6" CLASS 5 AGGREGATE BASE

COMMERCIAL CONCRETE DRIVEWAY/APRON SECTION



- 7" CONCRETE PAVEMENT
- 6" CLASS 5 AGGREGATE BASE

Plot Date: 08/28/2016 - 7:56am
Drawing name: V:\193802816\CAD\DWG\193802816_C100.dwg
User: jordan

50% DRAFT PLAN

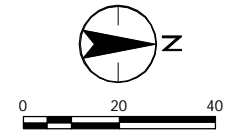
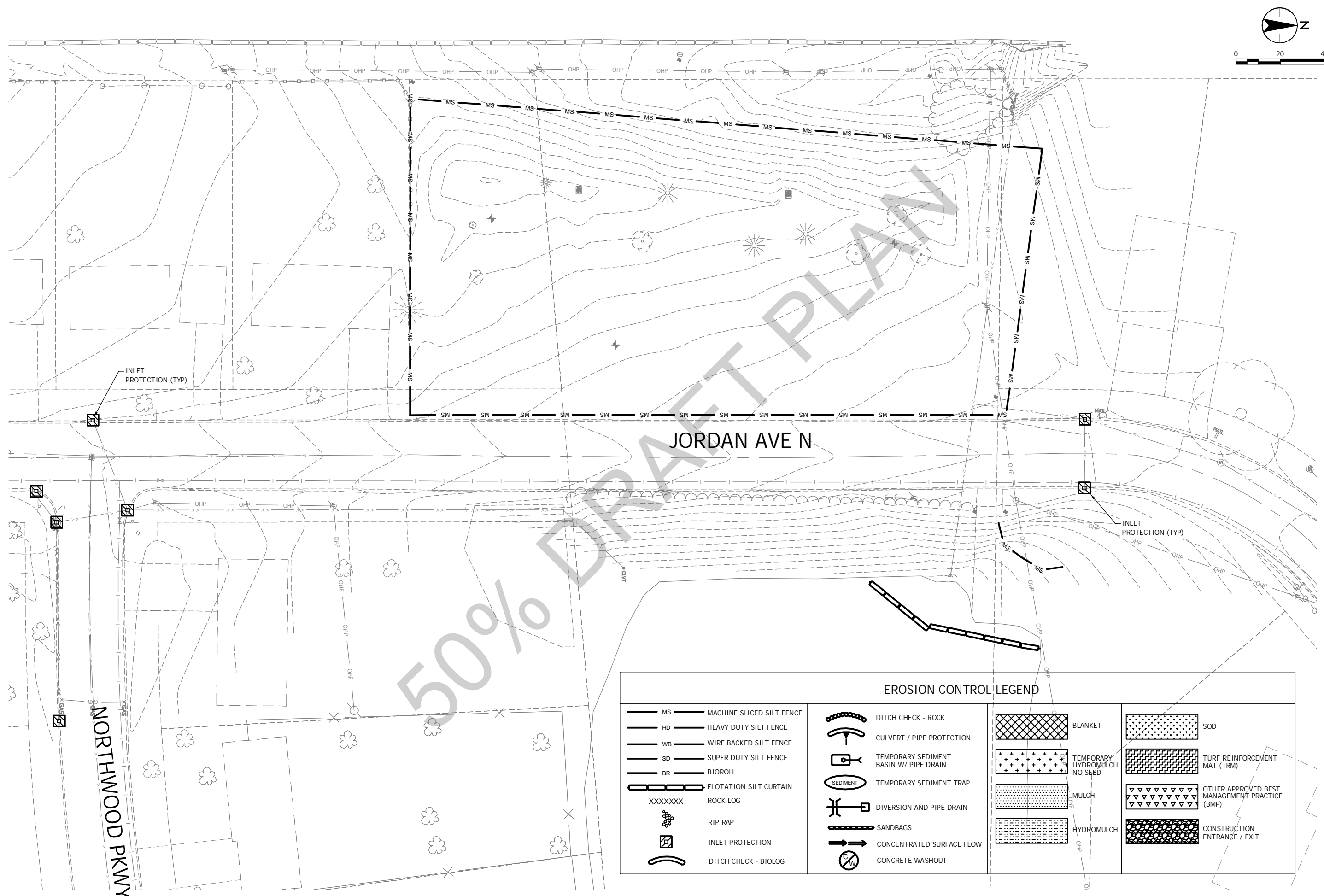
I HEREBY CERTIFY THAT THIS PLAN, SPECIFICATION OR REPORT WAS PREPARED BY ME OR UNDER MY DIRECT SUPERVISION AND THAT I AM A DULY LICENSED PROFESSIONAL ENGINEER UNDER THE LAWS OF THE STATE OF MINNESOTA.
PRINT NAME: _____
SIGNATURE: _____
DATE: _____ LIC. NO. _____

NEW HOPE, MINNESOTA
2016 NORTHWOOD LAKE IMPROVEMENTS
CITY PROJECT NO. 938
TYPICAL SECTION

NO.	REVISION	DATE
SURVEY		
DRAWN		ACD
DESIGNED		CWL
CHECKED		CWL
APPROVED		CWL
PROJ. NO.	193802816	
SHEET NUMBER C1.01		

THE CONTRACTOR SHALL VERIFY AND BE RESPONSIBLE FOR ALL DIMENSIONS DO NOT SCALE THE DRAWING. ANY ERRORS OR OMISSIONS SHALL BE REPORTED TO STANTEC IMMEDIATELY. REPRODUCTION OR USE FOR ANY PURPOSE OTHER THAN THAT AUTHORIZED BY STANTEC IS FORBIDDEN.

Plot Date: 08/27/2016 - 2:22pm
Drawing Name: V:\193802816\CAD\DWG\193802816_C201.dwg
User: 193802816_BORDR_193802816_XSST_193802816_XSST_193802816_XSST



JORDAN AVE N

NORTHWOOD PKWY

EROSION CONTROL LEGEND			
MS	MACHINE SLICED SILT FENCE		DITCH CHECK - ROCK
HD	HEAVY DUTY SILT FENCE		CULVERT / PIPE PROTECTION
WB	WIRE BACKED SILT FENCE		TEMPORARY SEDIMENT BASIN W/ PIPE DRAIN
SD	SUPER DUTY SILT FENCE		TEMPORARY SEDIMENT TRAP
BR	BIOROLL		DIVERSION AND PIPE DRAIN
	FLOTATION SILT CURTAIN		SANDBAGS
XXXXXXX	ROCK LOG		CONCENTRATED SURFACE FLOW
	RIP RAP		CONCRETE WASHOUT
	INLET PROTECTION		BLANKET
	DITCH CHECK - BIOLOG		TEMPORARY HYDROMULCH NO SEED
			MULCH
			HYDROMULCH
			SOD
			TURF REINFORCEMENT MAT (TRM)
			OTHER APPROVED BEST MANAGEMENT PRACTICE (BMP)
			CONSTRUCTION ENTRANCE / EXIT

Stantec
2335 Highway 36 W
St. Paul, MN 55113
www.stantec.com

I HEREBY CERTIFY THAT THIS PLAN, SPECIFICATION OR REPORT WAS PREPARED BY ME OR UNDER MY DIRECT SUPERVISION AND THAT I AM A DULY LICENSED PROFESSIONAL ENGINEER UNDER THE LAWS OF THE STATE OF MINNESOTA.

PRINT NAME: _____ LIC. NO. _____
SIGNATURE: _____ DATE: _____

NEW HOPE, MINNESOTA
2016 NORTHWOOD LAKE IMPROVEMENTS
CITY PROJECT NO. 938
TEMPORARY EROSION CONTROL

NO	REVISION	DATE

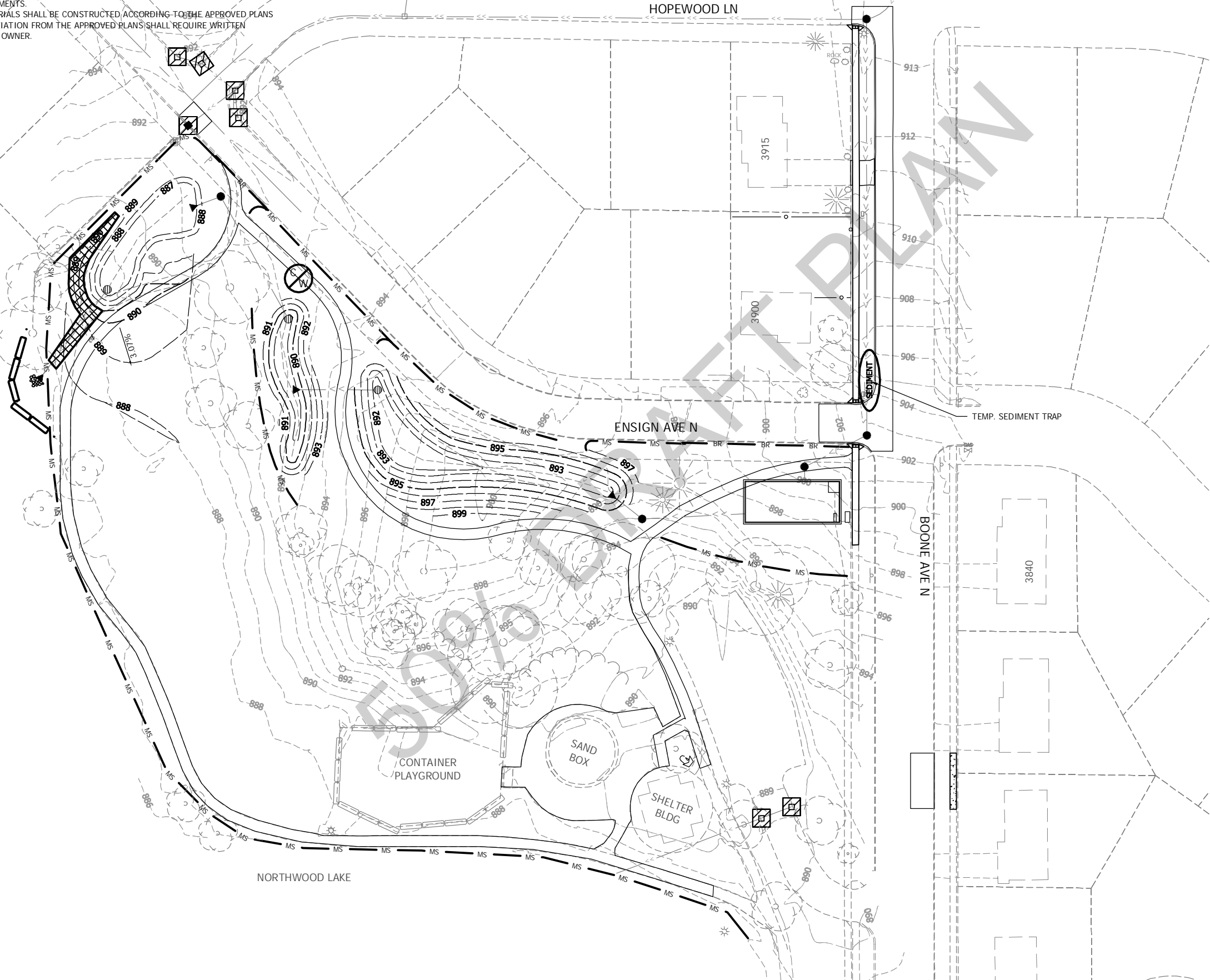
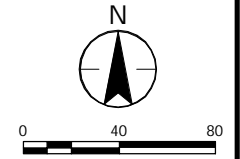
SURVEY _____
DRAWN _____ B.H.
DESIGNED _____ C.W.L.
CHECKED _____ C.W.L.
APPROVED _____ C.W.L.
PROJ. NO. 193802816

SHEET NUMBER
C2.01

THE CONTRACTOR SHALL VERIFY AND BE RESPONSIBLE FOR ALL DIMENSIONS. DO NOT SCALE THE DRAWING. ANY ERRORS OR OMISSIONS SHALL BE REPORTED TO STANTEC IMMEDIATELY. REPRODUCTION OR USE FOR ANY PURPOSE OTHER THAN THAT AUTHORIZED BY STANTEC IS PROHIBITED.

EROSION AND SEDIMENT CONTROL NOTES:

1. ALL PERMITTEES, CONTRACTORS, AND SUBCONTRACTORS INVOLVED WITH STORM WATER POLLUTION PREVENTION SHALL OBTAIN A COPY OF THE STORM WATER POLLUTION PLAN AND THE STATE OF MINNESOTA NATIONAL POLLUTANT DISCHARGE ELIMINATION SYSTEM (NPDES PHASE II PERMIT) AND BECOME FAMILIAR WITH THEIR CONTENTS AND IS RESPONSIBLE TO COMPLY WITH ALL REQUIREMENTS STATED WITHIN.
2. THE BMP'S SHOWN ON THE PLANS ARE THE MINIMUM REQUIREMENTS FOR THE ANTICIPATED SITE CONDITIONS. AS CONSTRUCTION PROGRESSES, THE PERMITTEE/CONTRACTOR SHALL ANTICIPATE THAT ADDITIONAL BMP'S MAY BE REQUIRED AS SITE CONDITIONS CHANGE AND SHALL PROVIDE ADDITIONAL BMP'S TO MEET APPLICABLE REQUIREMENTS.
3. ALL WORK AND MATERIALS SHALL BE CONSTRUCTED ACCORDING TO THE APPROVED PLANS AND SWPPP. ANY DEVIATION FROM THE APPROVED PLANS SHALL REQUIRE WRITTEN APPROVAL FROM THE OWNER.



EROSION CONTROL LEGEND

— MS —	MACHINE SLICED SILT FENCE
— HD —	HEAVY DUTY SILT FENCE
— WB —	WIRE BACKED SILT FENCE
— SD —	SUPER DUTY SILT FENCE
— BR —	BIOROLL
	FLOTATION SILT CURTAIN
XXXXXXX	ROCK LOG
	RIP RAP
	INLET PROTECTION
	DITCH CHECK - BIOLOG
	DITCH CHECK - ROCK
	CULVERT / PIPE PROTECTION
	TEMPORARY SEDIMENT BASIN W/ PIPE DRAIN
	TEMPORARY SEDIMENT TRAP
	DIVERSION AND PIPE DRAIN
	SANDBAGS
	CONCENTRATED SURFACE FLOW
	CONCRETE WASHOUT
	BLANKET
	TEMPORARY HYDROMULCH NO SEED
	MULCH
	SEED WITH HYDROMULCH
	SOD
	TURF REINFORCEMENT MAT (TRM)
	OTHER APPROVED BEST MANAGEMENT PRACTICE (BMP)
	CONSTRUCTION ENTRANCE / EXIT

Plot Date: 08/28/2016 10:27am
 Drawing name: V:\1938\Actives\193802816\CAD\Drawg\193802816_C2.02.dwg
 User: 193802816_BORDR 193802816_SXT 193802816_SPT 193802816_CONCEPT A

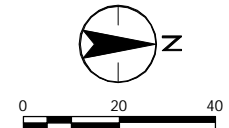
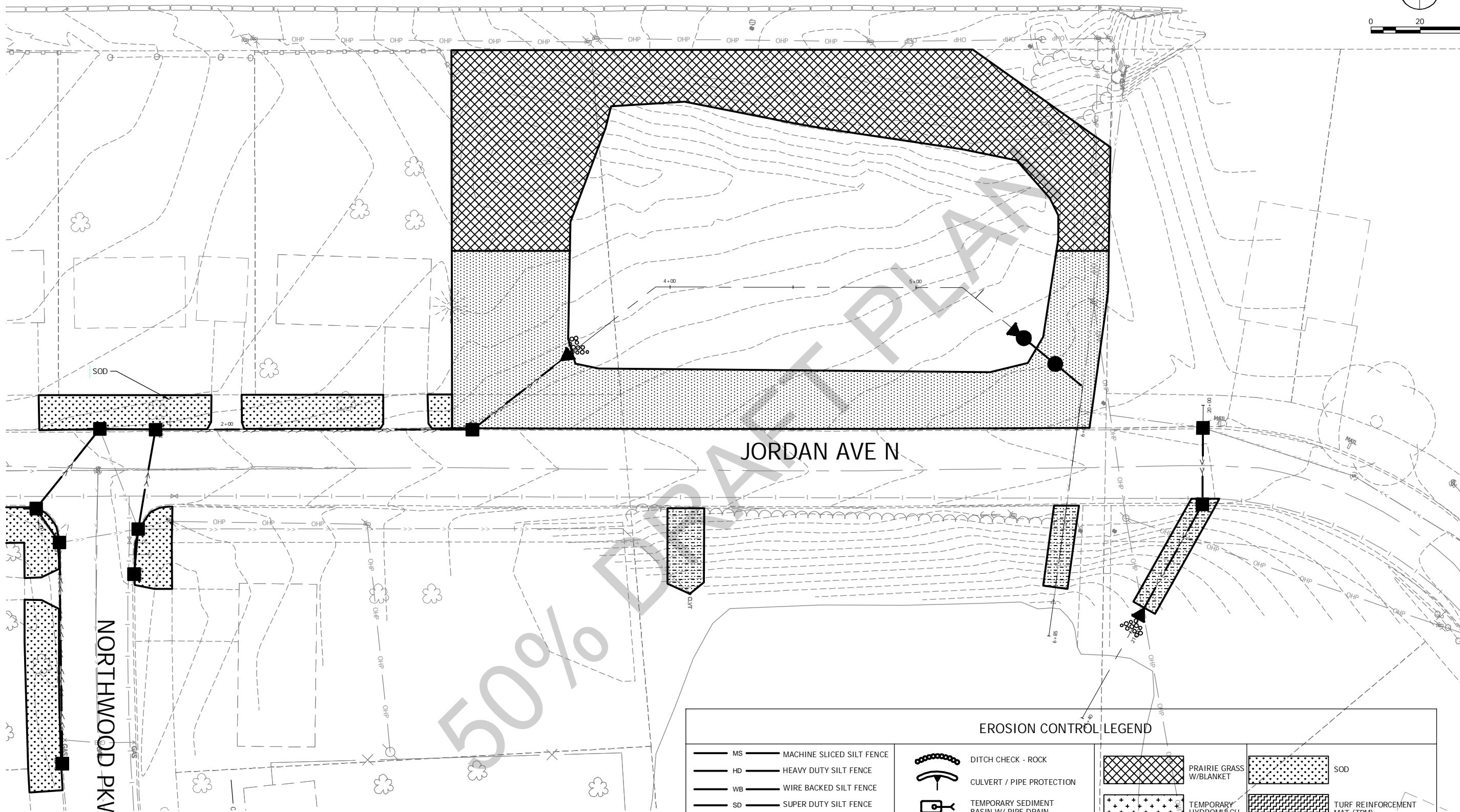
I HEREBY CERTIFY THAT THIS PLAN, SPECIFICATION OR REPORT WAS PREPARED BY ME OR UNDER MY DIRECT SUPERVISION AND THAT I AM A FULLY LICENSED PROFESSIONAL ENGINEER UNDER THE LAWS OF THE STATE OF MINNESOTA.
 PRINT NAME: _____
 SIGNATURE: _____
 DATE: _____
 LIC. NO. _____

NEW HOPE, MINNESOTA
 2016 NORTHWOOD LAKE IMPROVEMENTS
 CITY PROJECT NO. 938
 TEMPORARY EROSION CONTROL PLAN

NO.	REVISION	DATE
SURVEY		ACD
DRAWN		ACD
DESIGNED		CWL
CHECKED		CWL
APPROVED		CWL
PROJ. NO.	193802816	
SHEET NUMBER	C2.02	

THE CONTRACTOR SHALL VERIFY AND BE RESPONSIBLE FOR ALL DIMENSIONS. DO NOT SCALE THE DRAWING. ANY ERRORS OR OMISSIONS SHALL BE REPORTED TO STANTEC IMMEDIATELY. REPRODUCTION OR USE FOR ANY PURPOSE OTHER THAN THAT AUTHORIZED BY STANTEC IS FORBIDDEN.

Plot Date: 08/28/2016 - 8:51am
Drawing name: \\19382\active\193802816\CAD\DWG\193802816_C2.03.dwg
User: 193802816_BORDER 193802816_SSU 193802816_SPL



EROSION CONTROL LEGEND			
MS	MACHINE SLICED SILT FENCE	▨	PRAIRIE GRASS W/BLANKET
HD	HEAVY DUTY SILT FENCE	▩	270 SEED MIX
WB	WIRE BACKED SILT FENCE	▧	HYDROMULCH W/250 SEED MIX
SD	SUPER DUTY SILT FENCE	▦	SOD
BR	BIOROLL	▤	TURF REINFORCEMENT MAT (TRM)
XXXXXXX	FLOTATION SILT CURTAIN	▣	OTHER APPROVED BEST MANAGEMENT PRACTICE (BMP)
XXXXXXX	ROCK LOG	▢	CONSTRUCTION ENTRANCE / EXIT
🌿	RIP RAP	⌂	
🏠	INLET PROTECTION	⚡	
🌿	DITCH CHECK - BIOLOG	🚧	
⌂	DITCH CHECK - ROCK	⚡	
🏠	CULVERT / PIPE PROTECTION	🚧	
🌿	TEMPORARY SEDIMENT BASIN W/ PIPE DRAIN	🚧	
🌿	TEMPORARY SEDIMENT TRAP	🚧	
⌂	DIVERSION AND PIPE DRAIN	🚧	
⚡	SANDBAGS	🚧	
⚡	CONCENTRATED SURFACE FLOW	🚧	
🚧	CONCRETE WASHOUT	🚧	



I HEREBY CERTIFY THAT THIS PLAN, SPECIFICATION OR REPORT WAS PREPARED BY ME OR UNDER MY DIRECT SUPERVISION AND THAT I AM A DULY LICENSED PROFESSIONAL ENGINEER UNDER THE LAWS OF THE STATE OF MINNESOTA.
PRINT NAME: _____ LIC. NO. _____
SIGNATURE: _____
DATE: _____

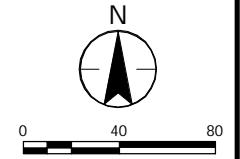
NEW HOPE, MINNESOTA
2016 NORTHWOOD LAKE IMPROVEMENTS
CITY PROJECT NO. 938
PERMANENT EROSION CONTROL

NO	REVISION	DATE
SURVEY		B.H.
DRAWN		C.W.L.
DESIGNED		C.W.L.
CHECKED		C.W.L.
APPROVED		C.W.L.
PROJ. NO.	193802816	
SHEET NUMBER	C2.03	

THE CONTRACTOR SHALL VERIFY AND BE RESPONSIBLE FOR ALL DIMENSIONS. DO NOT SCALE THE DRAWING. ANY ERRORS OR OMISSIONS SHALL BE REPORTED TO STANTEC IMMEDIATELY. REPRODUCTION OR USE FOR ANY PURPOSE OTHER THAN THAT AUTHORIZED BY STANTEC IS PROHIBITED.
 Plot Date: 08/28/2015 - 11:39am
 Drawing Name: V:\193802816\CAD\DWG\193802816_C2.04.dwg
 User: 193802816_BORDR 193802816_SXT 193802816_SPT 193802816_CONCEPT A

EROSION AND SEDIMENT CONTROL NOTES:

1. ALL PERMITTEES, CONTRACTORS, AND SUBCONTRACTORS INVOLVED WITH STORM WATER POLLUTION PREVENTION SHALL OBTAIN A COPY OF THE STORM WATER POLLUTION PLAN AND THE STATE OF MINNESOTA NATIONAL POLLUTANT DISCHARGE ELIMINATION SYSTEM (NPDES PHASE II PERMIT) AND BECOME FAMILIAR WITH THEIR CONTENTS AND IS RESPONSIBLE TO COMPLY WITH ALL REQUIREMENTS STATED WITHIN.
2. THE BMP'S SHOWN ON THE PLANS ARE THE MINIMUM REQUIREMENTS FOR THE ANTICIPATED SITE CONDITIONS. AS CONSTRUCTION PROGRESSES, THE PERMITTEE/CONTRACTOR SHALL ANTICIPATE THAT ADDITIONAL BMP'S MAY BE REQUIRED AS SITE CONDITIONS CHANGE AND SHALL PROVIDE ADDITIONAL BMP'S TO MEET APPLICABLE REQUIREMENTS.
3. ALL WORK AND MATERIALS SHALL BE CONSTRUCTED ACCORDING TO THE APPROVED PLANS AND SWPPP. ANY DEVIATION FROM THE APPROVED PLANS SHALL REQUIRE WRITTEN APPROVAL FROM THE OWNER.



EROSION CONTROL LEGEND

MS	MACHINE SLICED SILT FENCE
HD	HEAVY DUTY SILT FENCE
WB	WIRE BACKED SILT FENCE
SD	SUPER DUTY SILT FENCE
BR	BIOROLL
.....	FLOTATION SILT CURTAIN
XXXXXXX	ROCK LOG
	RIP RAP
	INLET PROTECTION
	DITCH CHECK - BIOLOG
	DITCH CHECK - ROCK
	CULVERT / PIPE PROTECTION
	TEMPORARY SEDIMENT BASIN W/ PIPE DRAIN
	TEMPORARY SEDIMENT TRAP
	DIVERSION AND PIPE DRAIN
	SANDBAGS
	CONCENTRATED SURFACE FLOW
	CONCRETE WASHOUT
	BLANKET
	TEMPORARY HYDROMULCH NO SEED
	MULCH
	SEED WITH HYDROMULCH
	SOD
	TURF REINFORCEMENT MAT (TRM)
	OTHER APPROVED BEST MANAGEMENT PRACTICE (BMP)
	CONSTRUCTION ENTRANCE / EXIT



I HEREBY CERTIFY THAT THIS PLAN, SPECIFICATION OR REPORT WAS PREPARED BY ME OR UNDER MY DIRECT SUPERVISION AND THAT I AM A DULY LICENSED PROFESSIONAL ENGINEER UNDER THE LAWS OF THE STATE OF MINNESOTA.
 PRINT NAME: _____ LIC. NO. _____
 SIGNATURE: _____ DATE: _____

NEW HOPE, MINNESOTA
 2016 NORTHWOOD LAKE IMPROVEMENTS
 CITY PROJECT NO. 938
 PERMANENT EROSION CONTROL PLAN

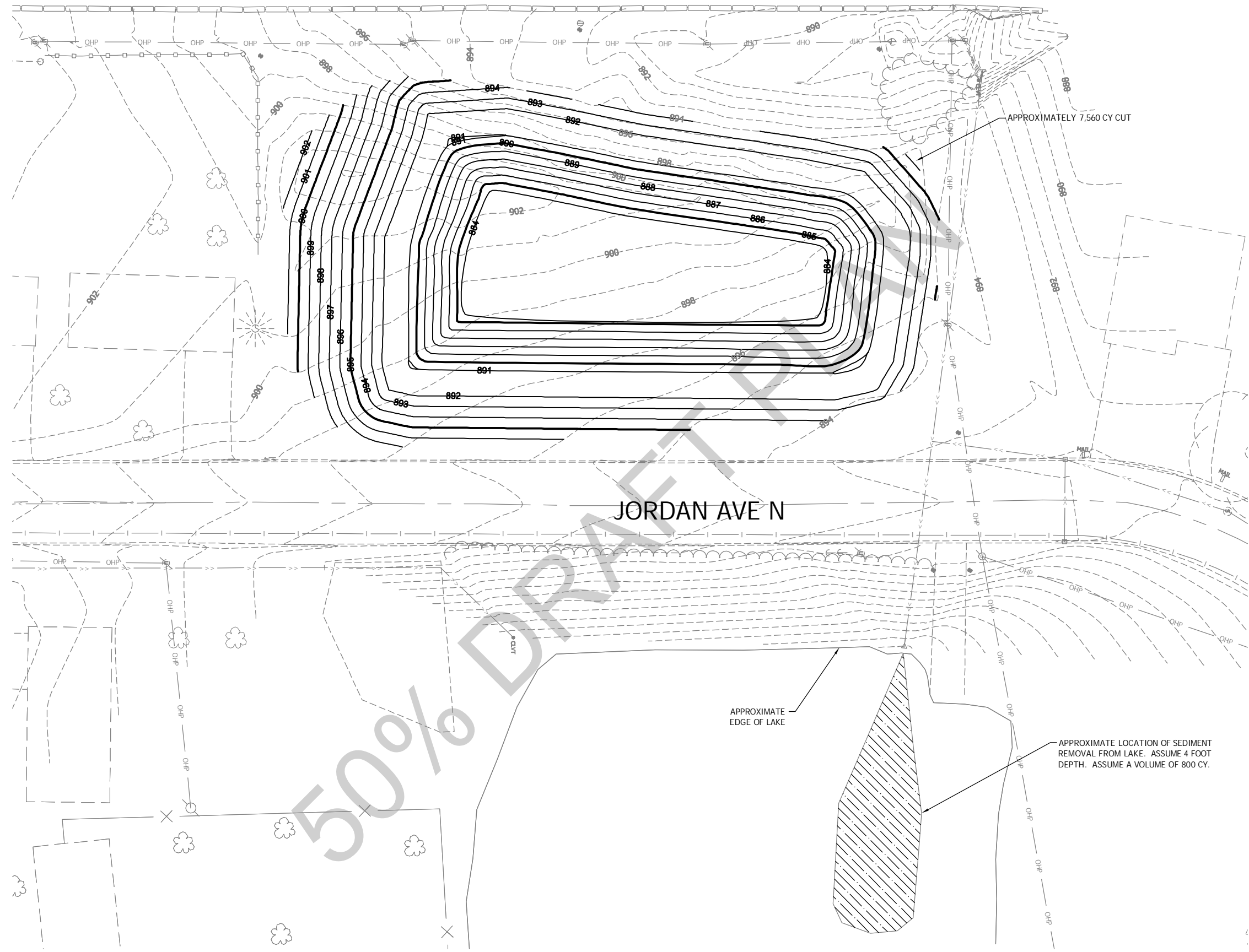
NO.	REVISION	DATE

SURVEY	ACD
DRAWN	ACD
DESIGNED	CWL
CHECKED	CWL
APPROVED	CWL
PROJ. NO.	193802816

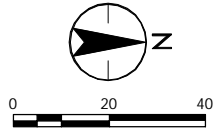
SHEET NUMBER
C2.04

THE CONTRACTOR SHALL VERIFY AND BE RESPONSIBLE FOR ALL DIMENSIONS. DO NOT SCALE THE DRAWING. ANY ERRORS OR OMISSIONS SHALL BE REPERIENCED IMMEDIATELY. REPRODUCTION OR USE FOR ANY PURPOSE OTHER THAN THAT AUTHORIZED BY STANTEC IS PROHIBITED.

Plot Date: 08/28/2015 - 9:48am
 Drawing Name: V:\1938\actives\193802816\CAD\DWG\193802816_C301.dwg
 User: 193802816 BORDER 193802816.ZXC



50% DRAFT



I HEREBY CERTIFY THAT THIS PLAN, SPECIFICATION OR REPORT WAS PREPARED BY ME OR UNDER MY DIRECT SUPERVISION AND THAT I AM A DULY LICENSED PROFESSIONAL ENGINEER UNDER THE LAWS OF THE STATE OF MINNESOTA.

PRINT NAME: _____
 SIGNATURE: _____
 DATE: _____ LIC. NO. _____

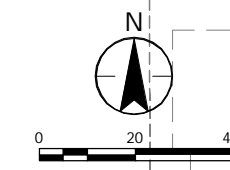
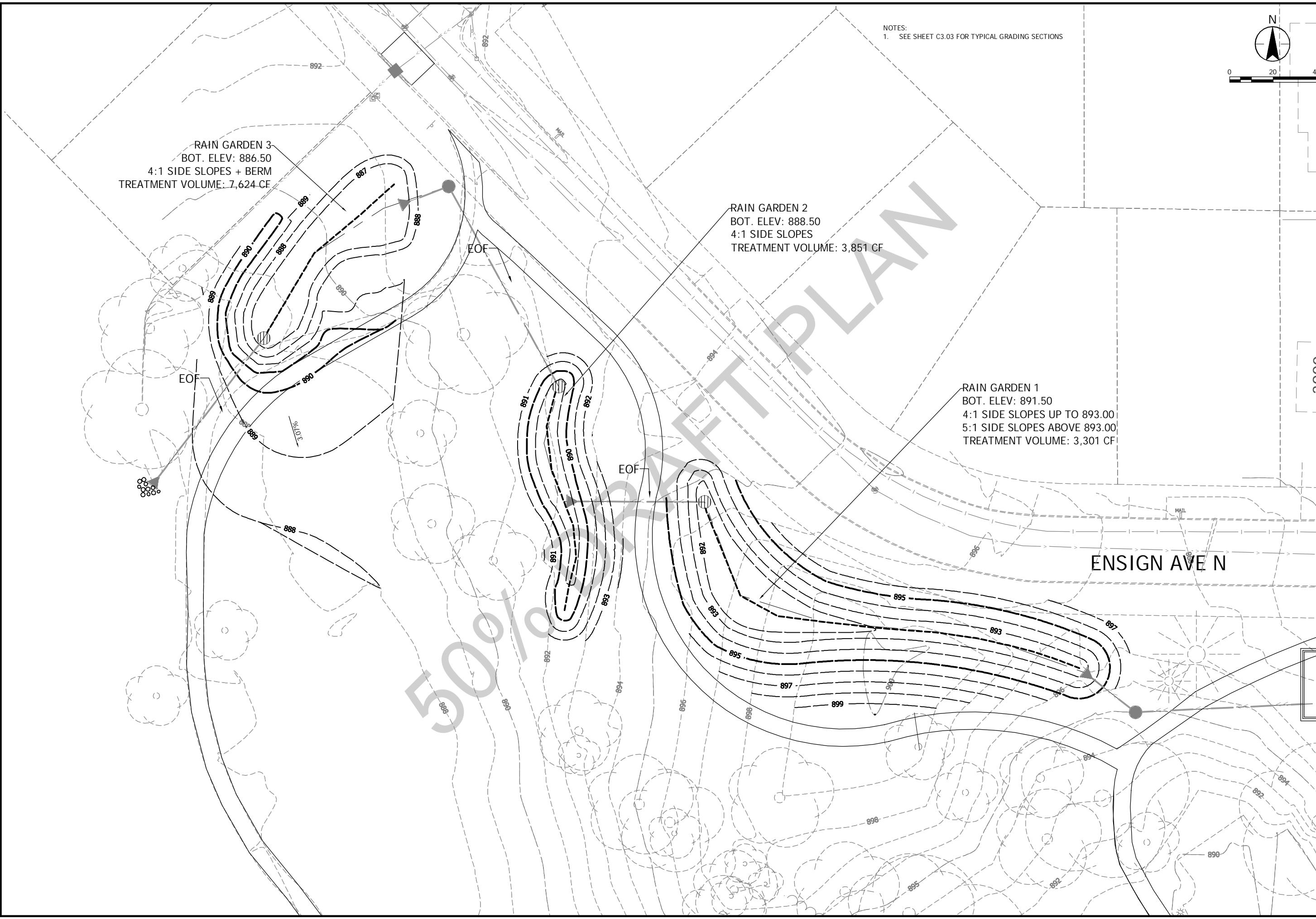
NEW HOPE, MINNESOTA
2016 NORTHWOOD LAKE IMPROVEMENTS
 CITY PROJECT NO. 938
 GRADING PLAN

NO.	REVISION	DATE

SURVEY	
DRAWN	B.J.H.
DESIGNED	C.W.L.
CHECKED	C.W.L.
APPROVED	C.W.L.
PROJ. NO.	193802816

THE CONTRACTOR SHALL VERIFY AND BE RESPONSIBLE FOR ALL DIMENSIONS. DO NOT SCALE THE DRAWING. ANY ERRORS OR OMISSIONS SHALL BE REPORTED TO STANTEC IMMEDIATELY. REPRODUCTION OR USE FOR ANY PURPOSE OTHER THAN THAT AUTHORIZED BY STANTEC IS PROHIBITED.

Plot Date: 08/28/2016 - 8:06am
 Drawing Name: V:\193802816\CAD\DWG\193802816_C3.02.dwg
 User: 193802816_BORDER, 193802816_SXT, 193802816_SPL, 193802816_CONCEPT_A



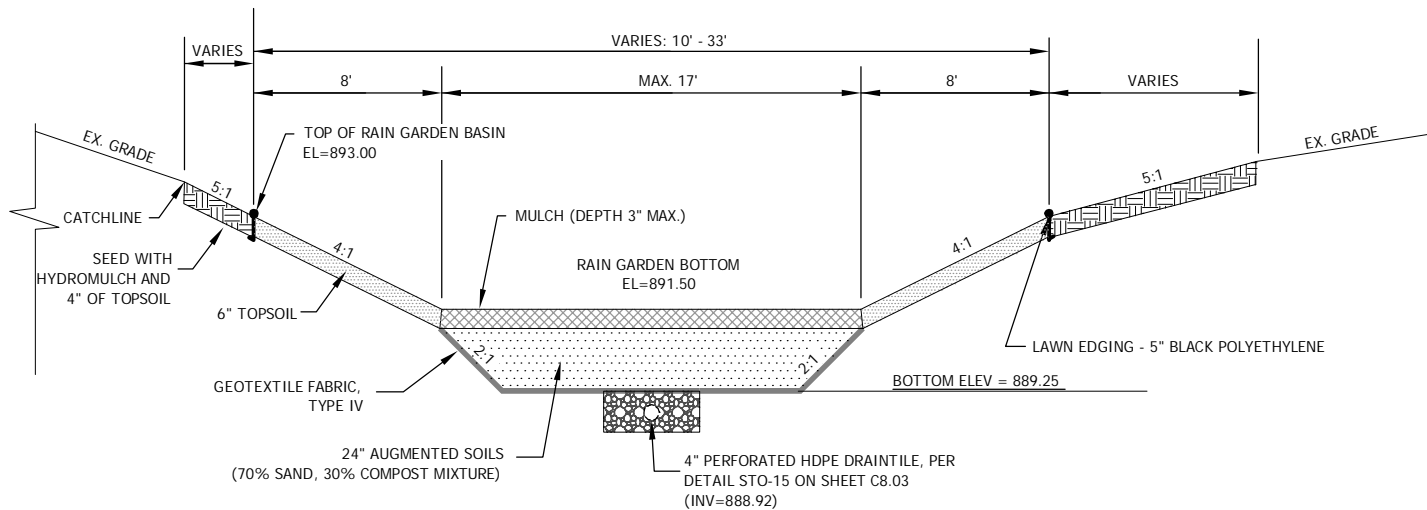
I HEREBY CERTIFY THAT THIS PLAN, SPECIFICATION OR REPORT WAS PREPARED BY ME OR UNDER MY DIRECT SUPERVISION AND THAT I AM A DULY LICENSED PROFESSIONAL ENGINEER UNDER THE LAWS OF THE STATE OF MINNESOTA.
 PRINT NAME: _____ LIC. NO. _____
 SIGNATURE: _____ DATE: _____

NEW HOPE, MINNESOTA
 2016 NORTHWOOD LAKE IMPROVEMENTS
 CITY PROJECT NO. 938
 GRADING PLAN

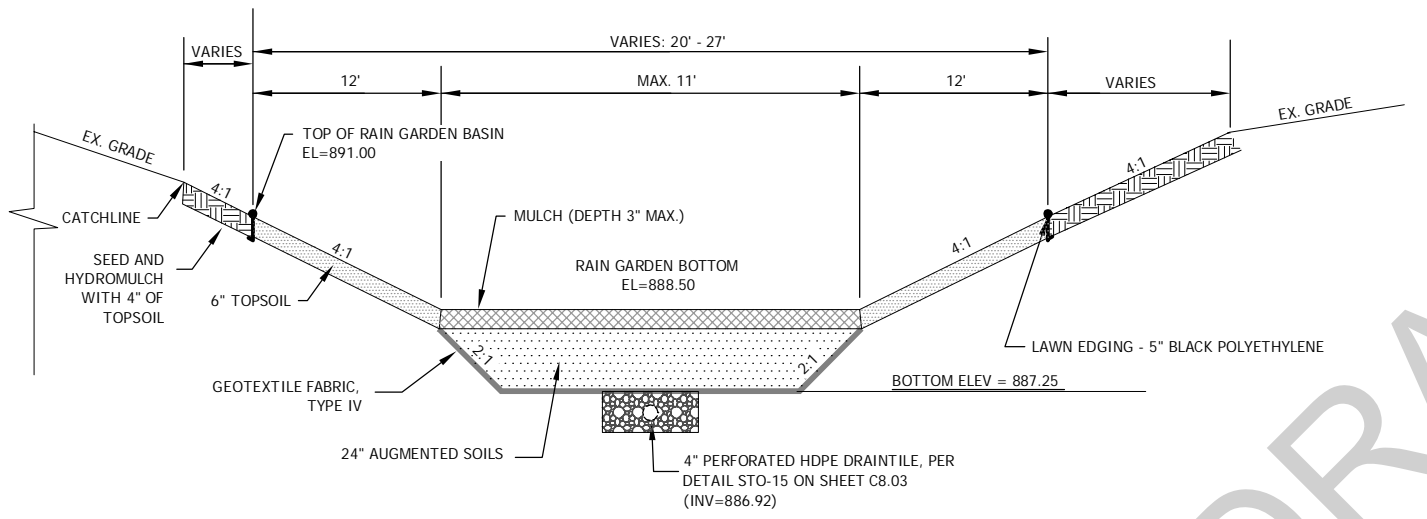
NO.	REVISION	DATE

SURVEY	
DRAWN	ACD
DESIGNED	CWL
CHECKED	CWL
APPROVED	CWL
PROJ. NO.	193802816
SHEET NUMBER	C3.02

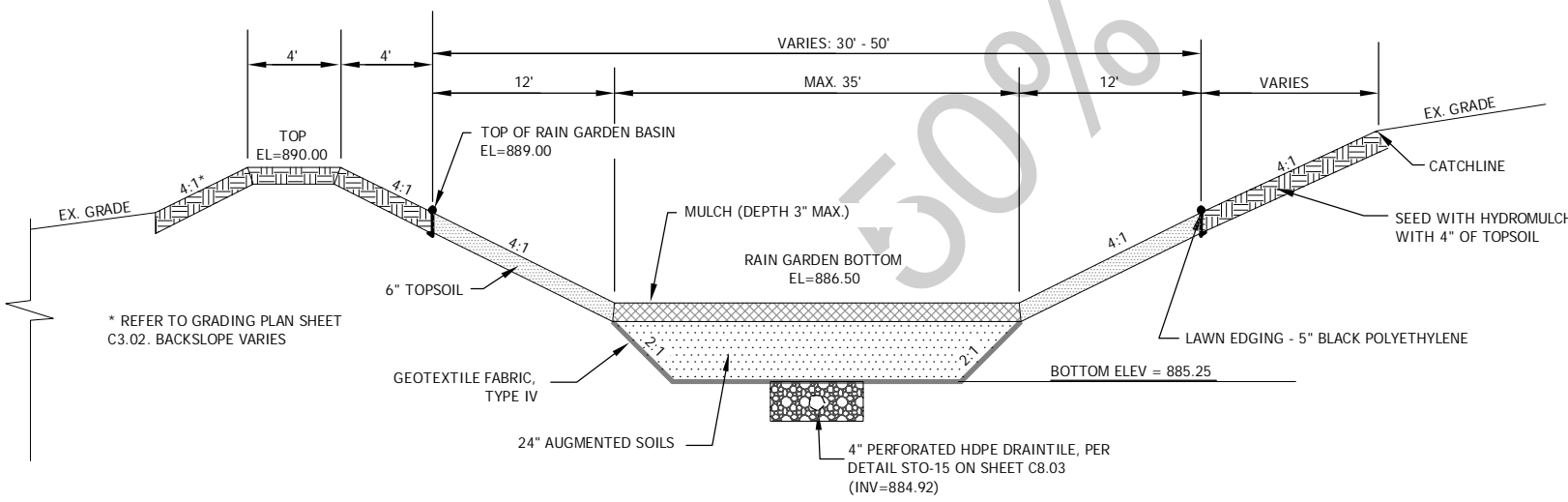
THE CONTRACTOR SHALL VERIFY AND BE RESPONSIBLE FOR ALL DIMENSIONS. DO NOT SCALE THE DRAWING. ANY ERRORS OR OMISSIONS SHALL BE REPERFORMED AT THE CONTRACTOR'S RISK. NO REPRODUCTION OR USE FOR ANY PURPOSE OTHER THAN THAT AUTHORIZED BY STANTEC IS FORBIDDEN.



RAIN GARDEN 1 SECTION
SCALE: N/A



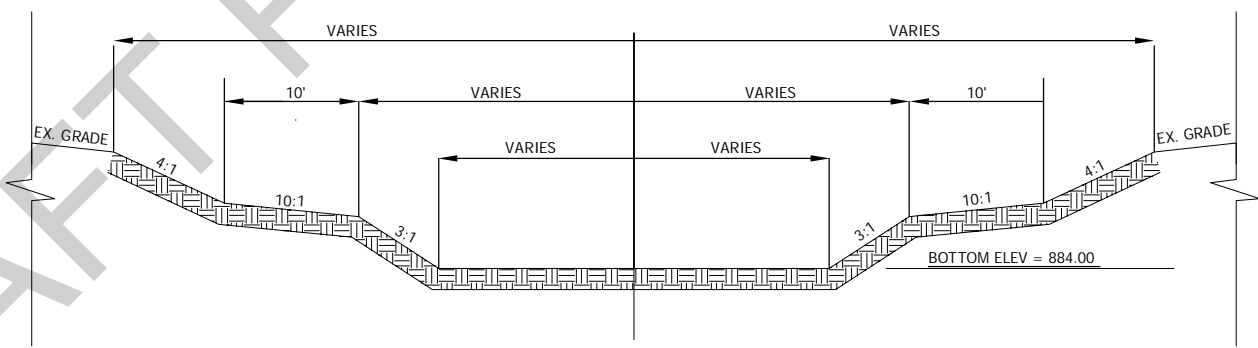
RAIN GARDEN 2 SECTION
SCALE: N/A



RAIN GARDEN 3 SECTION
SCALE: N/A

GENERAL RAIN GARDEN NOTES:

1. THE INSTALLER MUST BE A COMPANY SPECIALIZING IN INSTALLING AND PLANTING THE SPECIFIED PLANTS WITH A MINIMUM OF 3-YEARS DOCUMENTED EXPERIENCE AS REPRESENTED BY A LIST OF COMPLETED PAST PROJECTS.
2. ALL LANDSCAPE WORK SHALL BE PERFORMED BY PERSONNEL FAMILIAR WITH PLANTING PROCEDURES, AND WORK SHALL BE LAID OUT UNDER THE DIRECTION OF A QUALIFIED PLANTING SUPERVISOR.
3. PROTECT AGAINST COMPACTION OF AUGMENTED SOIL MIXTURE DURING CONSTRUCTION.
4. INSTALL TEMPORARY CONSTRUCTION FENCE AROUND PERIMETER OF RAIN GARDEN IMMEDIATELY FOLLOWING PLANTING INSTALLATION.
5. THE AUGMENTED SOILS SHALL CONSIST OF THE FOLLOWING: 70% CLEAN SAND, FREE OF DELETERIOUS MATERIAL - MN/DOT 3149.2.B.2 SELECT GRANULAR BORROW & 30% ORGANIC LEAF COMPOST - MN/DOT 3890B GRADE 2.
6. MULCH SHALL CONSIST OF DOUBLE SHREDDED HARDWOOD MULCH AND SHALL MEET THE REQUIREMENTS OF MN/DOT 3882.2 TYPE
7. HEAVY EQUIPMENT AND TRAFFIC SHALL BE RESTRICTED FROM TRAVELING OVER THE INFILTRATION TRENCHES TO MINIMIZE COMPACTION OF THE SOIL.
8. RAIN GARDEN SHALL NOT RECEIVE RUNOFF UNTIL THE ENTIRE DRAINAGE AREA CONTRIBUTING TO THE RAIN GARDEN HAS BEEN STABILIZED.
9. SELECT GRANULAR BORROW CONFORMS TO MNDOT SPEC. 3149.2.B.2.
10. SANDY LOAM TOPSOIL BORROW CONFORMS TO MNDOT SPEC. 3877.2.D
11. THE LAWN EDGING SHALL BE 5" BLACK POLYETHYLENE. USE ONLY NON-METALLIC STAKES TO SECURE EDGING AND INSTALL PER MANUFACTURER'S DIRECTIONS.



JORDAN POND SECTION
SCALE: N/A

EARTHWORK SUMMARY				
GRADING AREA	CUMULATIVE CUT VOLUME	COMMON EXCAVATION	CUMULATIVE FILL VOLUME	EXCESS MATERIAL
	(CY-EV)	(CY-EV)	(CY-CV)	(CY-EV)
JORDAN POND	7560	7560	0	7560
RAIN GARDENS 1 & 2	1956	1956	0	1956
RAIN GARDEN 3	468	468	224	244
PLAYGROUND AREA	364	364	0	364
NW LAKE OUTLET	800	800	0	800
TOTALS		11148	224	10924

*** - PAY ITEM QUANTITY**

Plot Date: 08/28/2016 - 7:47am
 Drawing Name: V:\193802816\CAD\DWG\193802816_C303.dwg
 User: jordan

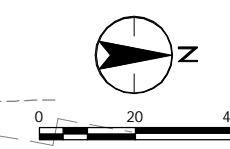
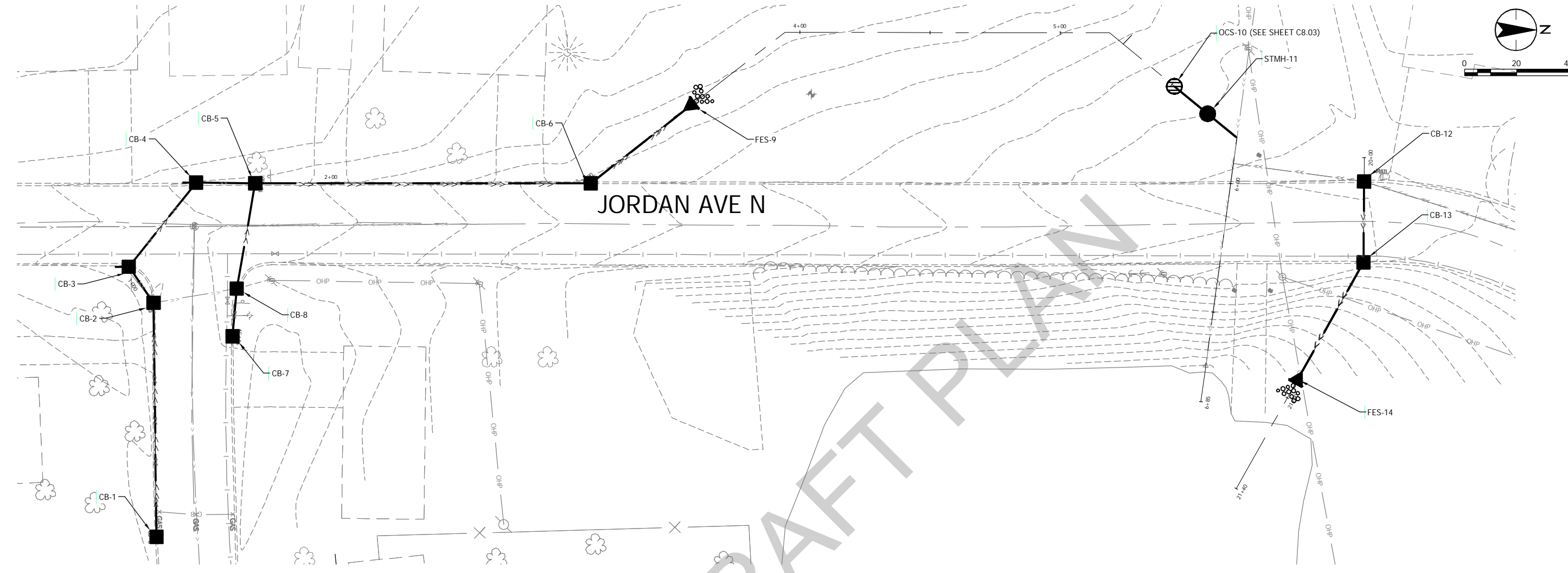
I HEREBY CERTIFY THAT THIS PLAN, SPECIFICATION OR REPORT WAS PREPARED BY ME OR UNDER MY DIRECT SUPERVISION AND THAT I AM A DULY LICENSED PROFESSIONAL ENGINEER UNDER THE LAWS OF THE STATE OF MINNESOTA.
 PRINT NAME: _____
 SIGNATURE: _____
 DATE: _____ LIC. NO. _____

NO.	REVISION	DATE

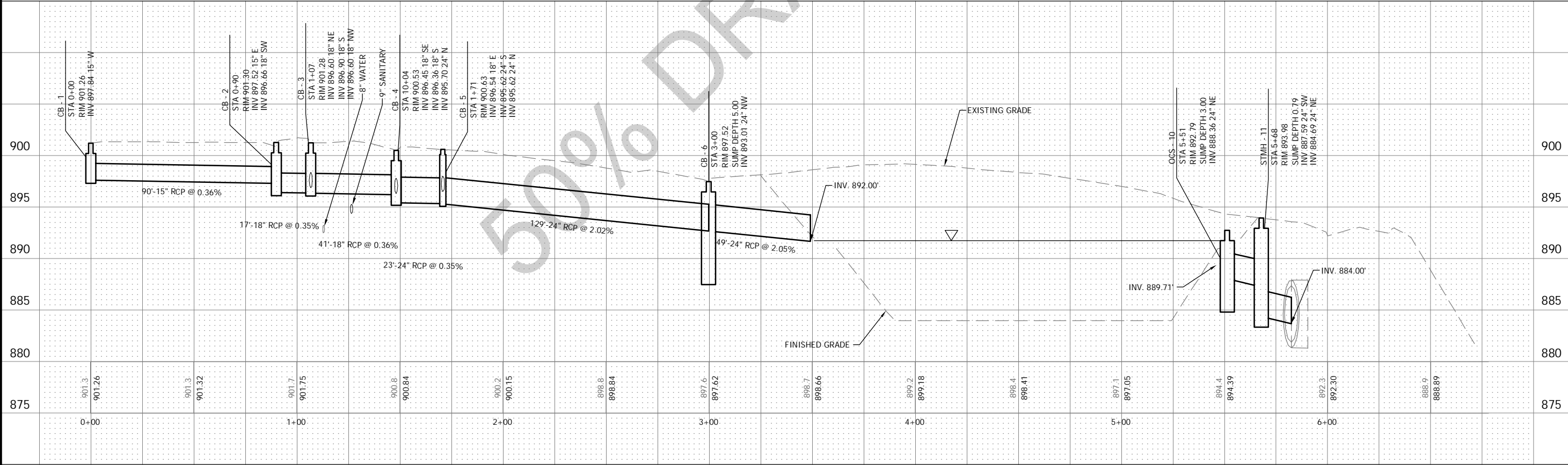
SURVEY	ACD
DRAWN	ACD
DESIGNED	CWL
CHECKED	CWL
APPROVED	CWL
PROJ. NO.	193802816
SHEET NUMBER	C3.03

THE CONTRACTOR SHALL VERIFY AND BE RESPONSIBLE FOR ALL DIMENSIONS DO NOT SCALE THE DRAWING. ANY ERRORS OR OMISSIONS SHALL BE REPORTED TO STANTEC IMMEDIATELY. REPRODUCTION OR USE FOR ANY PURPOSE OTHER THAN THAT AUTHORIZED BY STANTEC IS FORBIDDEN.

Plot Date: 08/28/2016 - 9:55am
 Drawing Name: V:\193802816\CAD\DWG\193802816_C501.dwg
 User: 193802816_BORDR_193802816_S001_193802816_S001



50% DRAFT PLAN



Stantec

2335 Highway 36 W
St. Paul, MN 55113
www.stantec.com

I HEREBY CERTIFY THAT THIS PLAN, SPECIFICATION OR REPORT WAS PREPARED BY ME OR UNDER MY DIRECT SUPERVISION AND THAT I AM A DULY LICENSED PROFESSIONAL ENGINEER UNDER THE LAWS OF THE STATE OF MINNESOTA.

PRINT NAME: _____ LIC. NO. _____
 SIGNATURE: _____
 DATE: _____

NEW HOPE, MINNESOTA

2016 NORTHWOOD LAKE IMPROVEMENTS

CITY PROJECT NO. 938

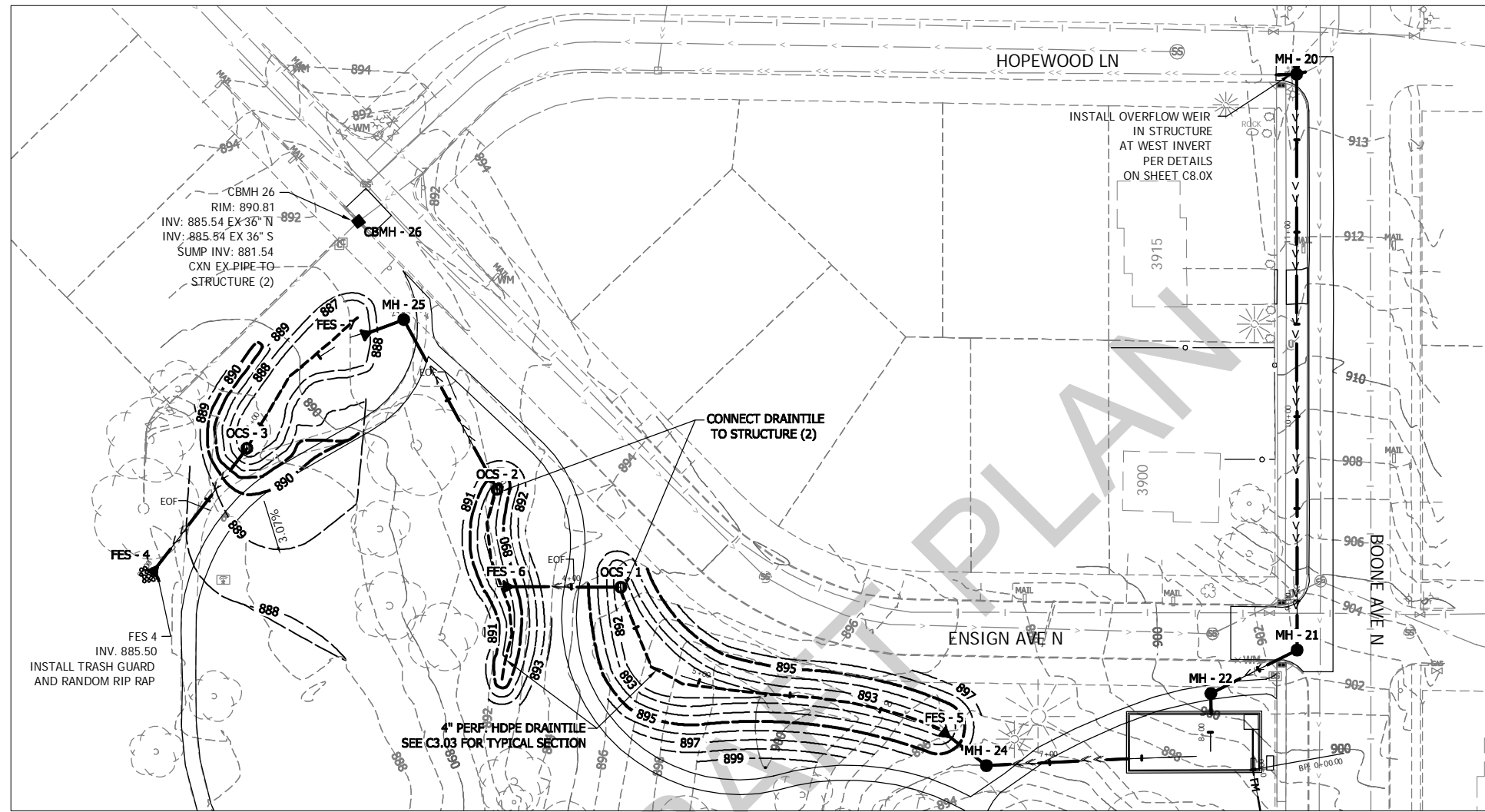
STORM IMPROVEMENTS

NO	REVISION	DATE

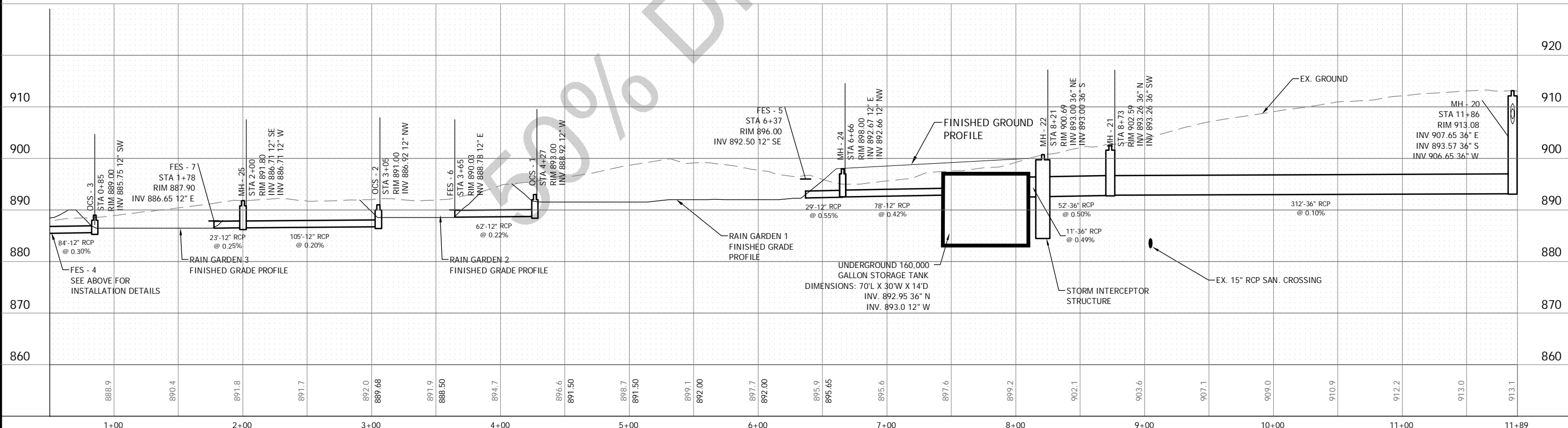
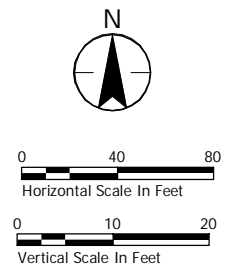
SURVEY	B.J.H.
DRAWN	C.W.L.
DESIGNED	C.W.L.
CHECKED	C.W.L.
APPROVED	C.W.L.
PROJ. NO.	193802816

C5.01

THE CONTRACTOR SHALL VERIFY AND BE RESPONSIBLE FOR ALL DIMENSIONS. DO NOT SCALE THE DRAWING. ANY ERRORS OR OMISSIONS SHALL BE REPORTED TO STANTEC IMMEDIATELY. REPRODUCTION OR USE FOR ANY PURPOSE OTHER THAN THAT AUTHORIZED BY STANTEC IS PROHIBITED.



NORTHWOOD PARK/ BOONE AVE N



Plot Date: 08/28/2016 - 11:34am
 Drawing Name: V:\193802816\CAD\DWG\193802816_C5.03.dwg
 User: J. BORDEN
 Project: 193802816

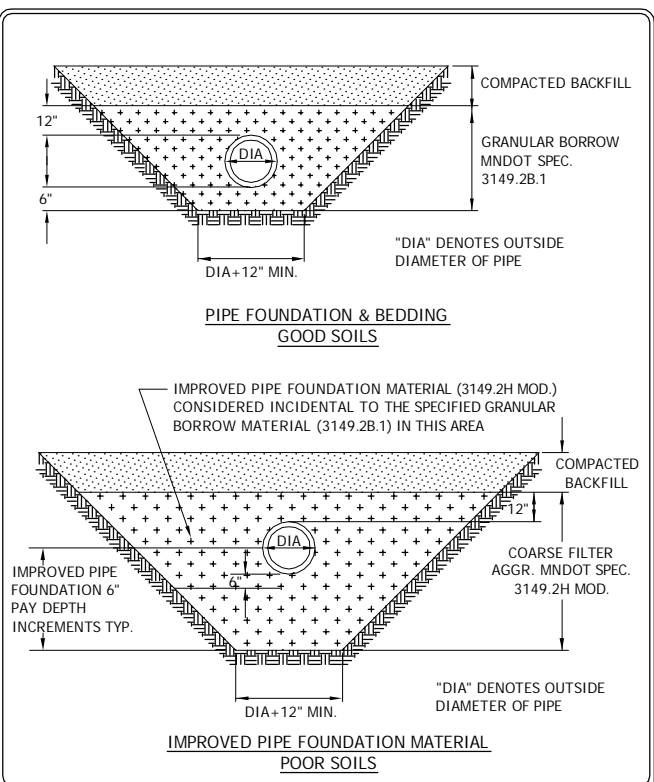
Stantec
 2335 Highway 35 W
 St. Paul, MN 55113
 www.stantec.com

NEW HOPE, MINNESOTA
 2016 NORTHWOOD LAKE IMPROVEMENTS
 CITY PROJECT NO. 938
 STORM IMPROVEMENTS

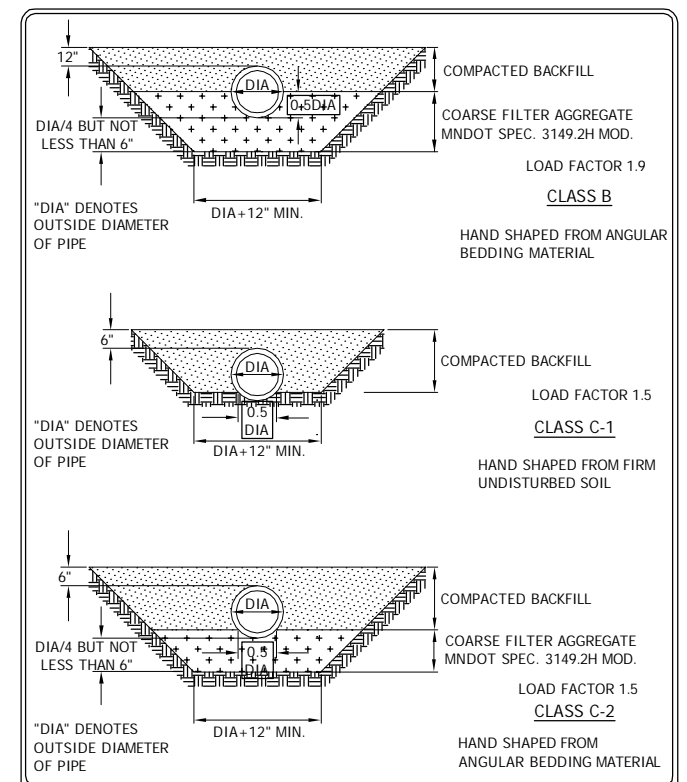
NO.	REVISION	DATE

SURVEY	ACD
DRAWN	CWL
DESIGNED	CWL
CHECKED	CWL
APPROVED	CWL
PROJ. NO.	193802816
SHEET NUMBER	C5.03

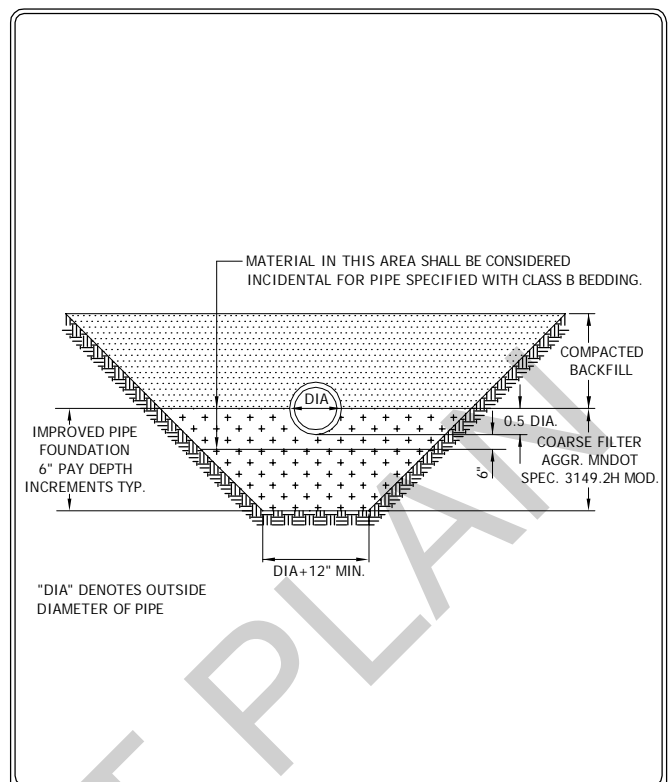
THE CONTRACTOR SHALL VERIFY AND BE RESPONSIBLE FOR ALL DIMENSIONS. DO NOT SCALE THE DRAWING. ANY ERRORS OR OMISSIONS SHALL BE REPORTED IMMEDIATELY TO STANTEC. REPRODUCTION OR USE FOR ANY PURPOSE OTHER THAN THAT AUTHORIZED BY STANTEC IS PROHIBITED.



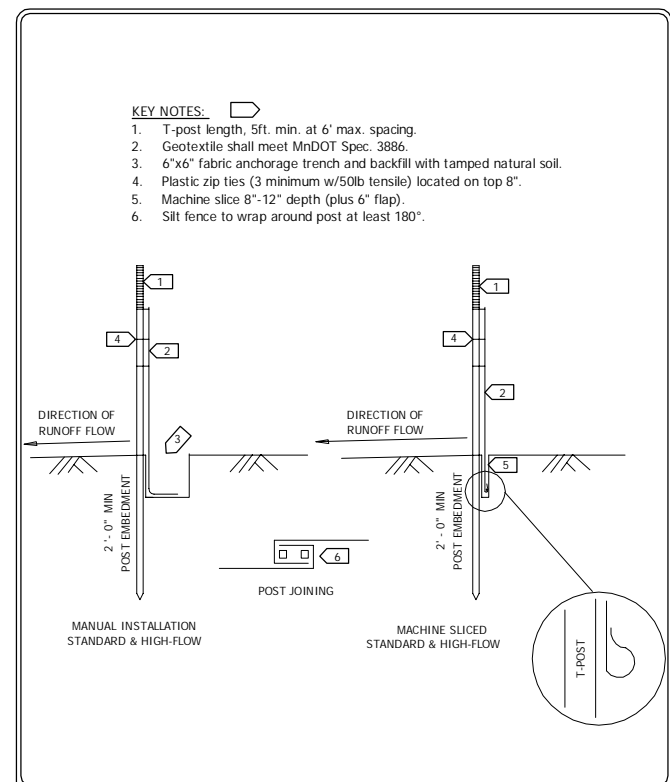
	PIPE FOUNDATION & BEDDING METHODS FOR PVC	LAST REVISION: March 2002
	CITY OF NEW HOPE, MN	PLATE NO. BED-1



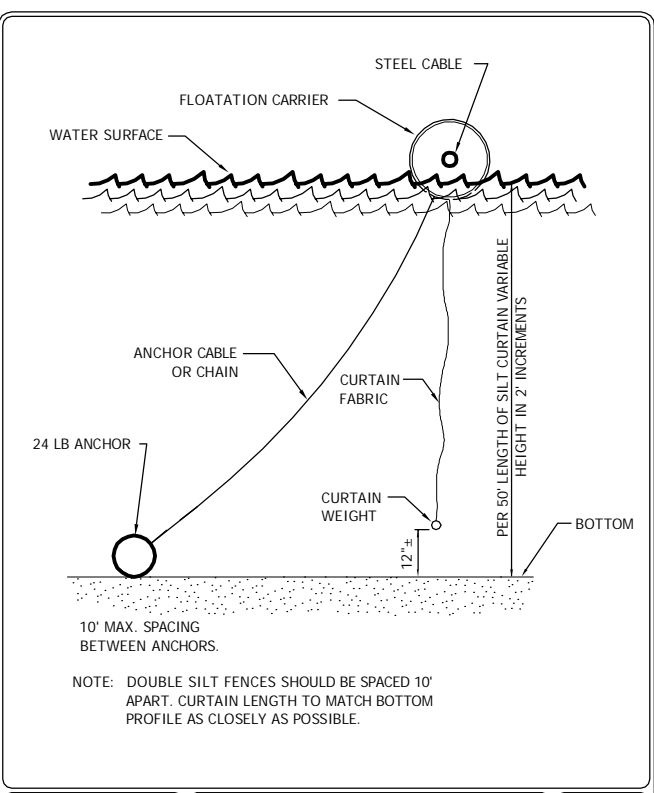
	PIPE FOUNDATION & BEDDING METHODS FOR RCP OR DIP	LAST REVISION: March 2002
	CITY OF NEW HOPE, MN	PLATE NO. BED-2



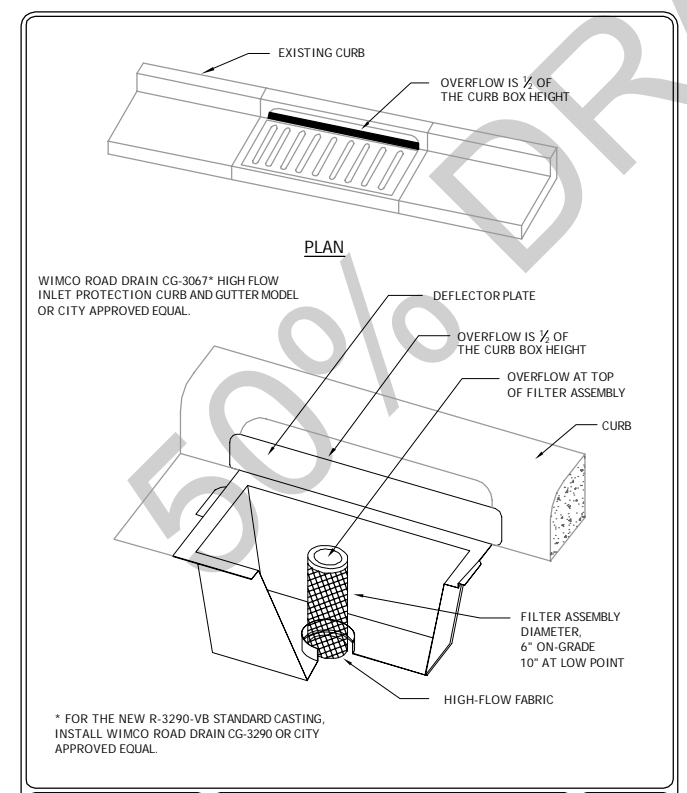
	IMPROVED PIPE FOUNDATION FOR RCP AND DIP	LAST REVISION: March 2002
	CITY OF NEW HOPE, MN	PLATE NO. BED-3



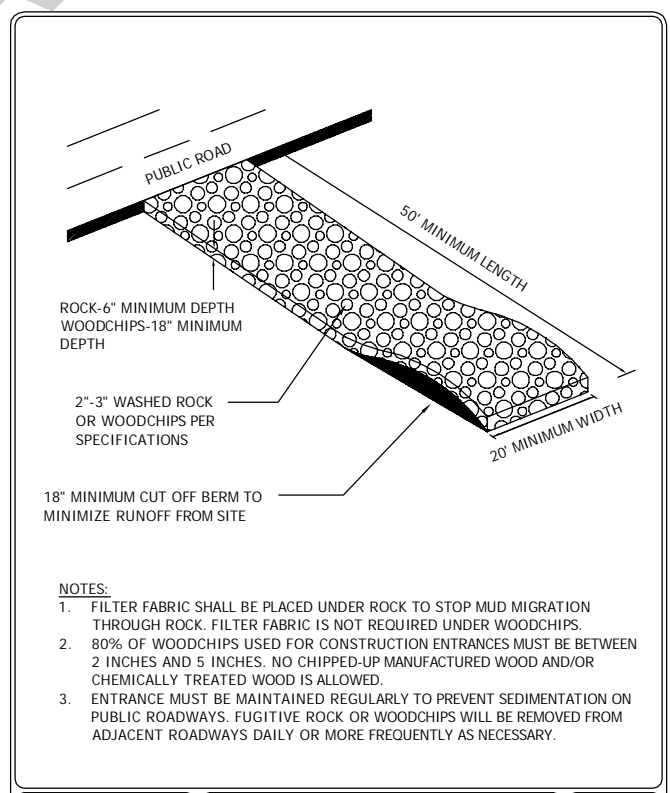
	SILT FENCE INSTALLATION	LAST REVISION: Jan. 2005
	CITY OF NEW HOPE, MN	PLATE NO. ERO-1



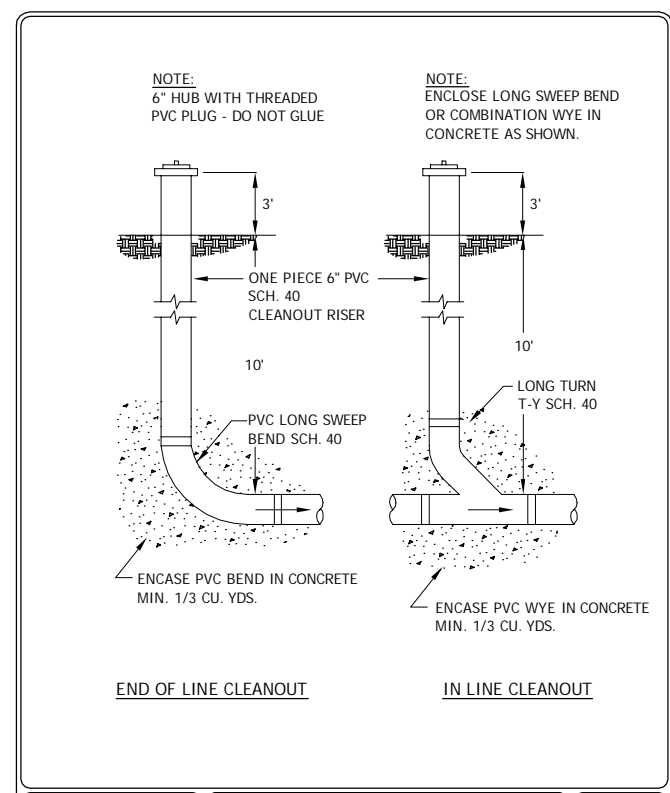
	FLOATING SILT FENCE	LAST REVISION: Feb. 2013
	CITY OF NEW HOPE, MN	PLATE NO. ERO-3



	INLET PROTECTION CATCH BASIN INSERT AFTER PAVING	LAST REVISION: Jan. 2005
	CITY OF NEW HOPE, MN	PLATE NO. ERO-4C



	ROCK CONSTRUCTION ENTRANCE	LAST REVISION: Jan 2015
	CITY OF NEW HOPE, MN	PLATE NO. ERO-7



	PVC SERVICE LINE CLEANOUTS	LAST REVISION: April 2000
	CITY OF NEW HOPE, MN	PLATE NO. SER-3

Plot Date: 08/28/2015 - 8:03am
Drawing name: Y:\193802816\CAD\DWG\193802816_C801.dwg
User: j93802816_jordan

I HEREBY CERTIFY THAT THIS PLAN, SPECIFICATION OR REPORT WAS PREPARED BY ME OR UNDER MY DIRECT SUPERVISION AND THAT I AM A DULY LICENSED PROFESSIONAL ENGINEER UNDER THE LAWS OF THE STATE OF MINNESOTA.

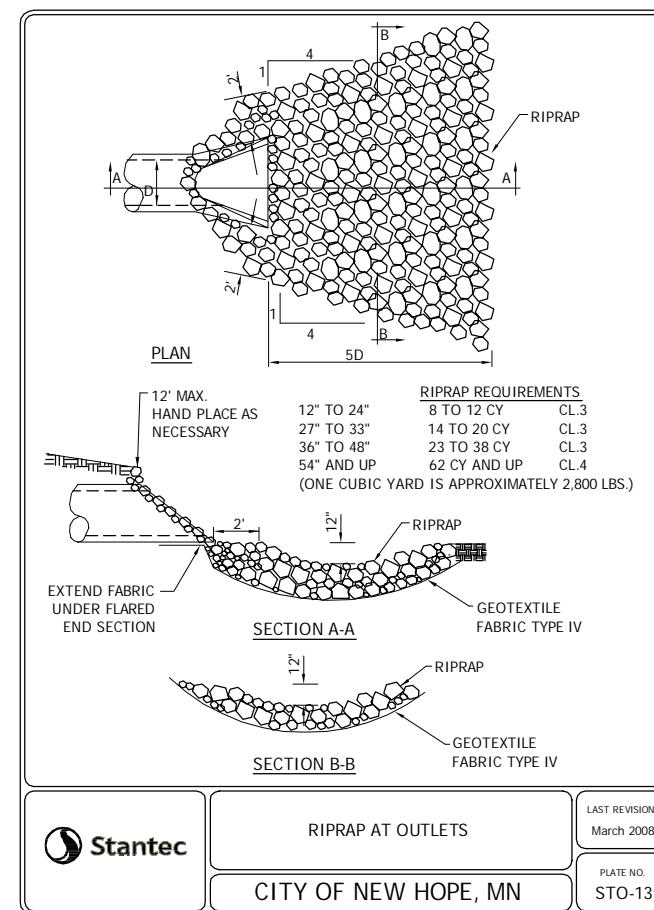
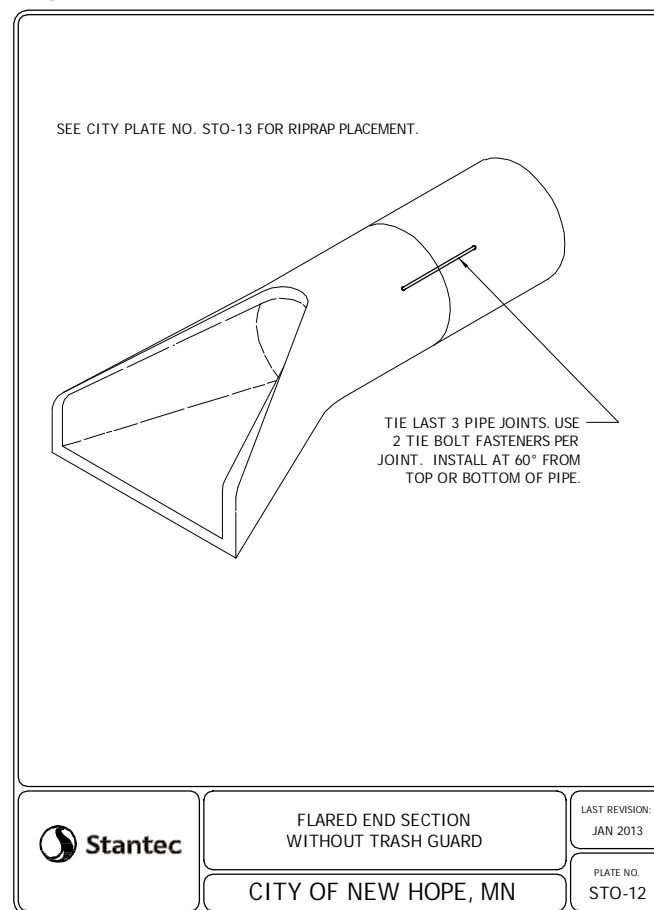
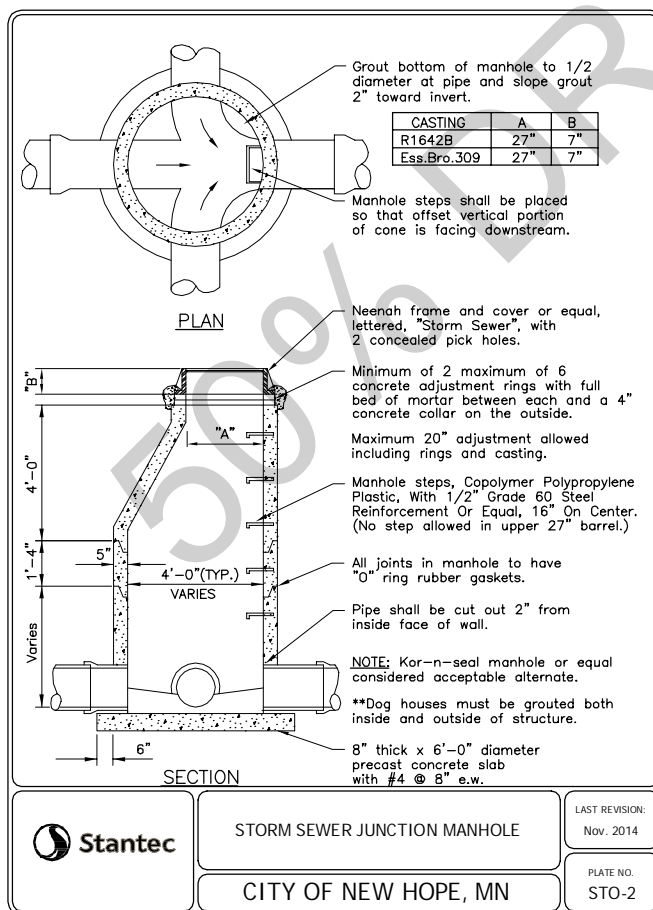
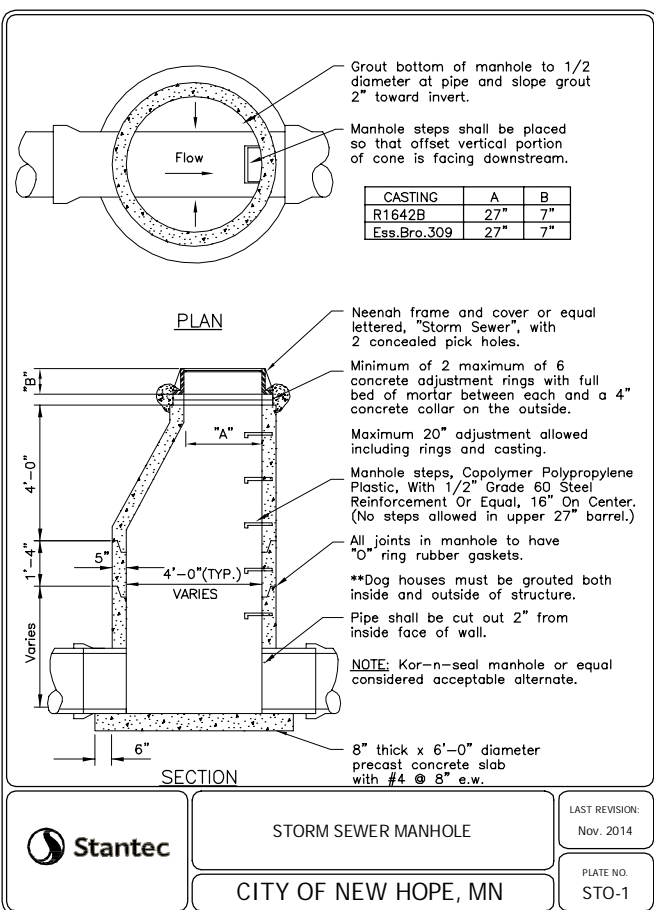
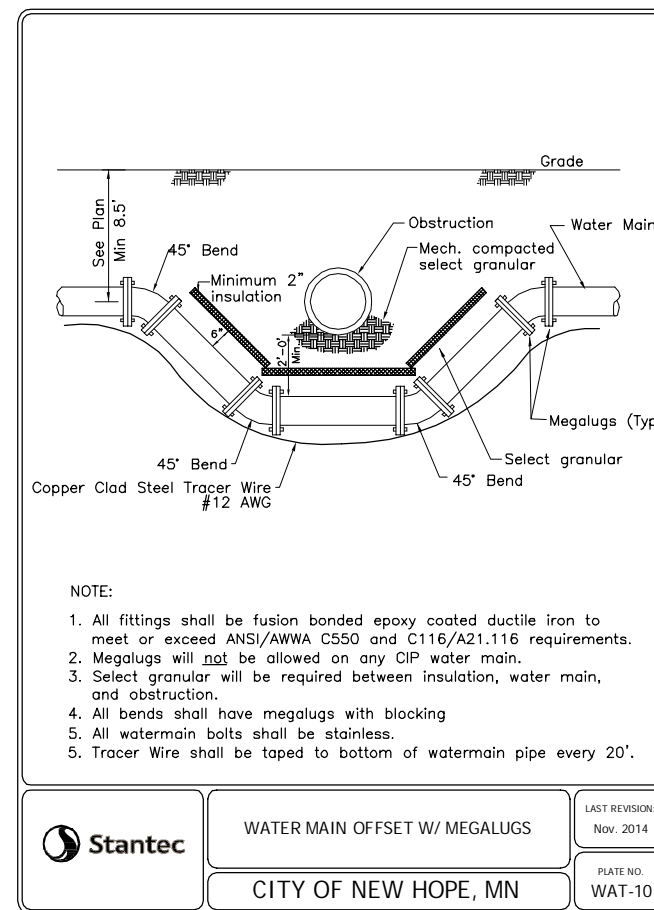
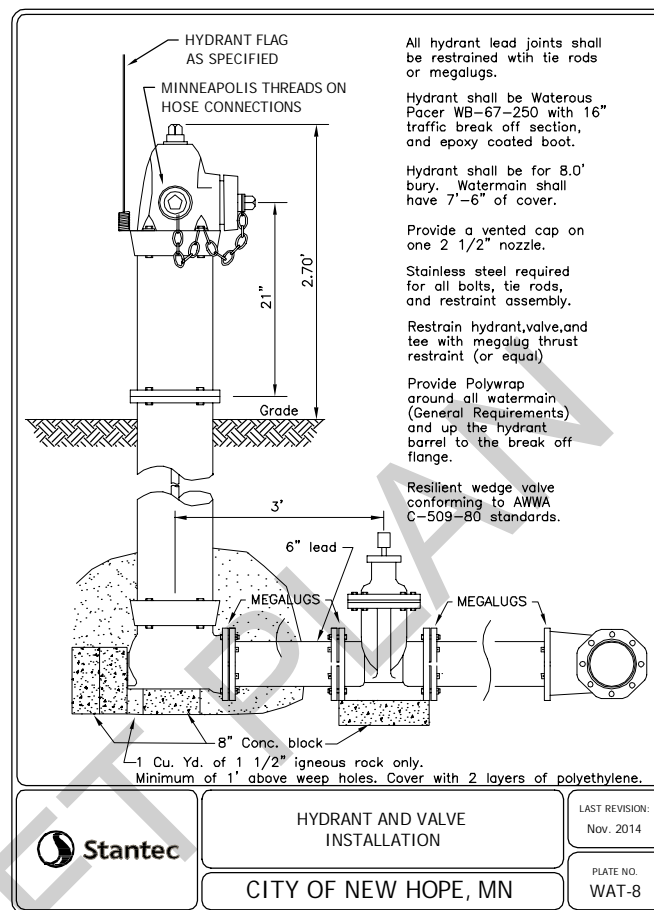
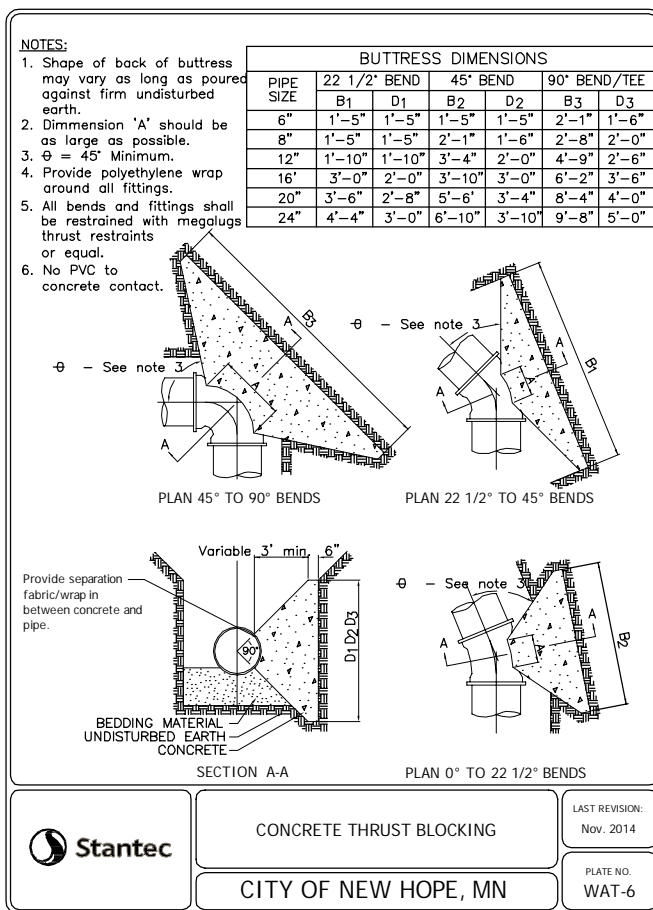
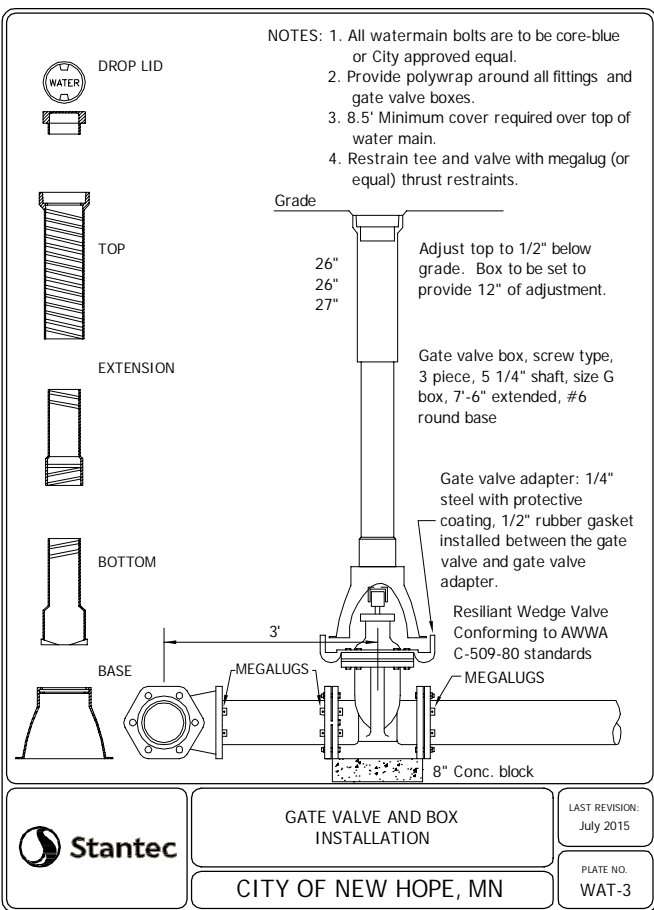
PRINT NAME: #E#E#
SIGNATURE: #E#E#
DATE: #E#E#
LIC. NO. #E#E#

NO.	REVISION	DATE

SURVEY
DRAWN: ACD
DESIGNED: CWL
CHECKED: CWL
APPROVED: CWL
PROJ. NO. 193802816

SHEET NUMBER
C8.01

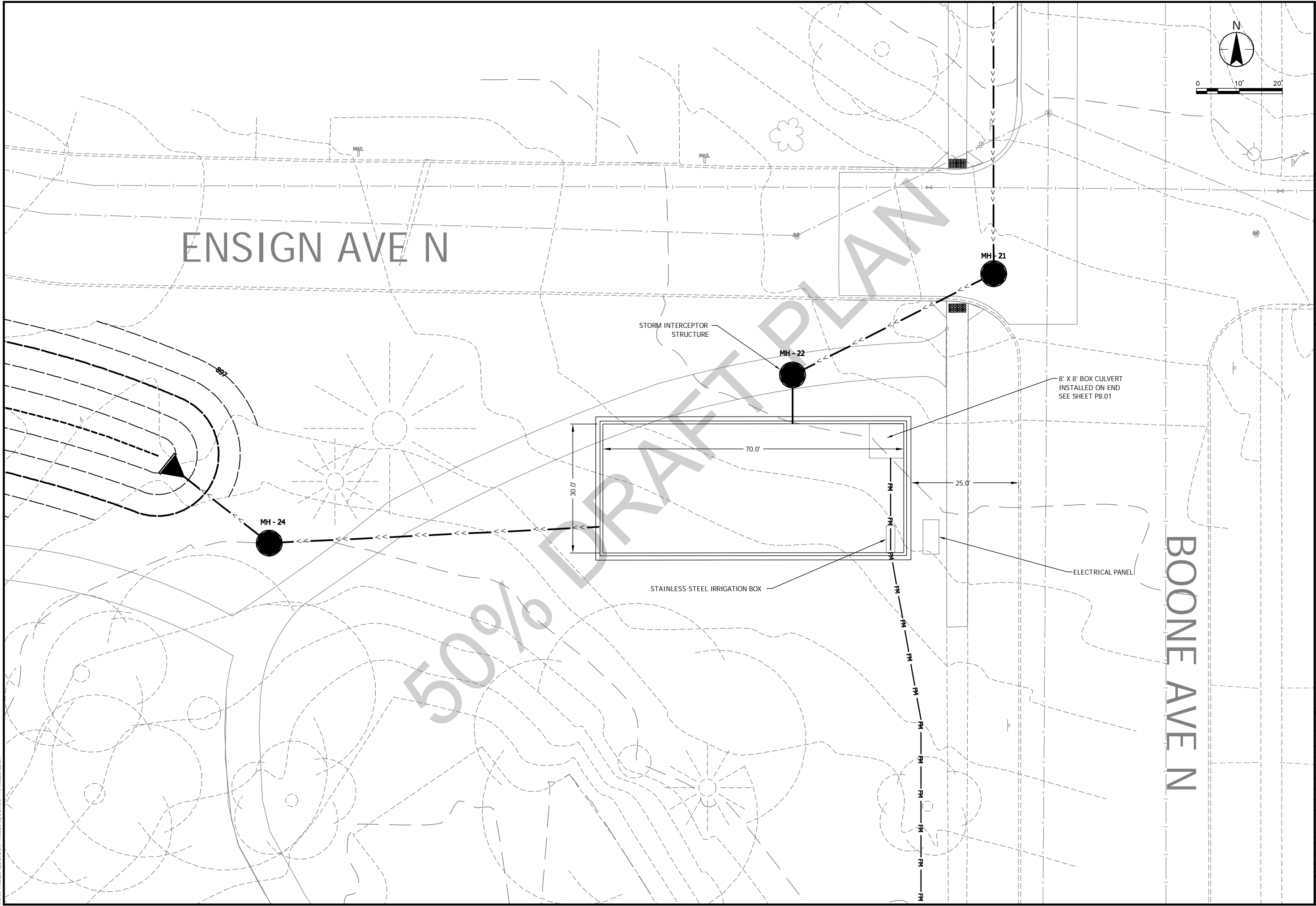
THE CONTRACTOR SHALL VERIFY AND BE RESPONSIBLE FOR ALL DIMENSIONS. DO NOT SCALE THE DRAWING. ANY ERRORS OR OMISSIONS SHALL BE REPORTED TO STANTEC IMMEDIATELY. STANTEC SHALL NOT BE RESPONSIBLE FOR ANY ERRORS OR OMISSIONS. THIS DRAWING IS FOR INFORMATION ONLY AND IS NOT TO BE USED FOR ANY PURPOSE OTHER THAN THAT AUTHORIZED BY STANTEC.



Plot Date: 08/28/2015 - 8:02am
 Drawing Name: V:\193802816\CAD\DWG\193802816_C800.dwg
 User: jstancik

THE CONTRACTOR SHALL VERIFY AND BE RESPONSIBLE FOR ALL DIMENSIONS DO NOT SCALE THE DRAWING. ANY ERRORS OR OMISSIONS SHALL BE REPORTED TO STANTEC IMMEDIATELY. NO REPRODUCTION OR USE FOR ANY PURPOSE OTHER THAN THAT AUTHORIZED BY STANTEC IS FORBIDDEN.

Plot Date: 08/28/2016 - 8:49am
Drawing Name: V:\1938\active\193802816\CAD\DWG\193802816_P101.dwg
User: 193802816_BORDER



2335 Highway 36 W
St. Paul, MN 55113
www.stantec.com

I HEREBY CERTIFY THAT THIS PLAN, SPECIFICATION OR REPORT WAS PREPARED BY ME OR UNDER MY DIRECT SUPERVISION AND THAT I AM A DULY LICENSED PROFESSIONAL ENGINEER UNDER THE LAWS OF THE STATE OF MINNESOTA.
PRINT NAME: _____
SIGNATURE: _____
DATE: _____
LIC. NO. _____

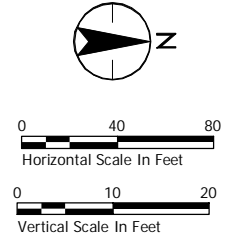
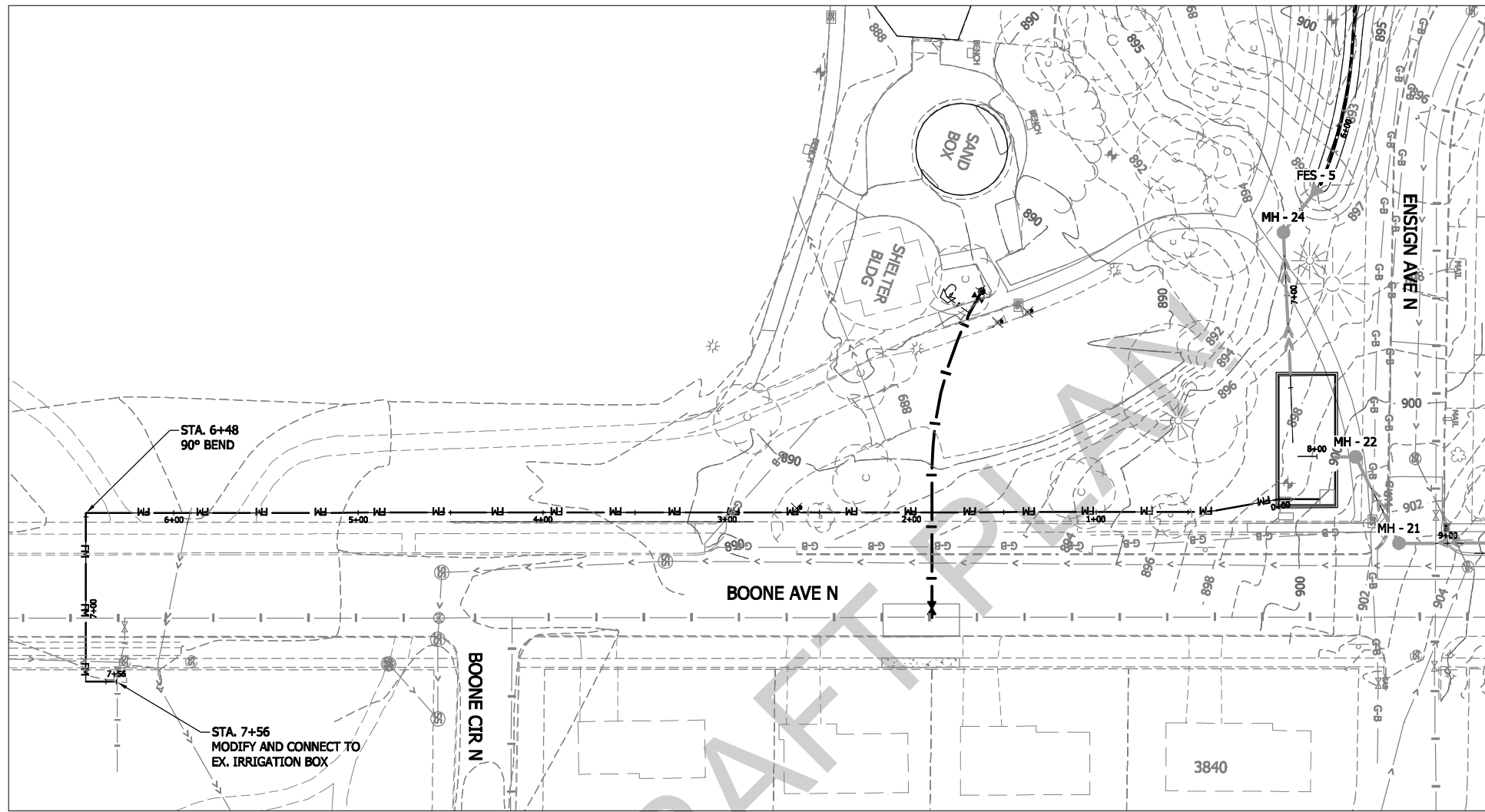
NEW HOPE, MINNESOTA
2016 NORTHWOOD LAKE IMPROVEMENTS
CITY PROJECT NO. 938
STORAGE TANK

NO.	REVISION	DATE

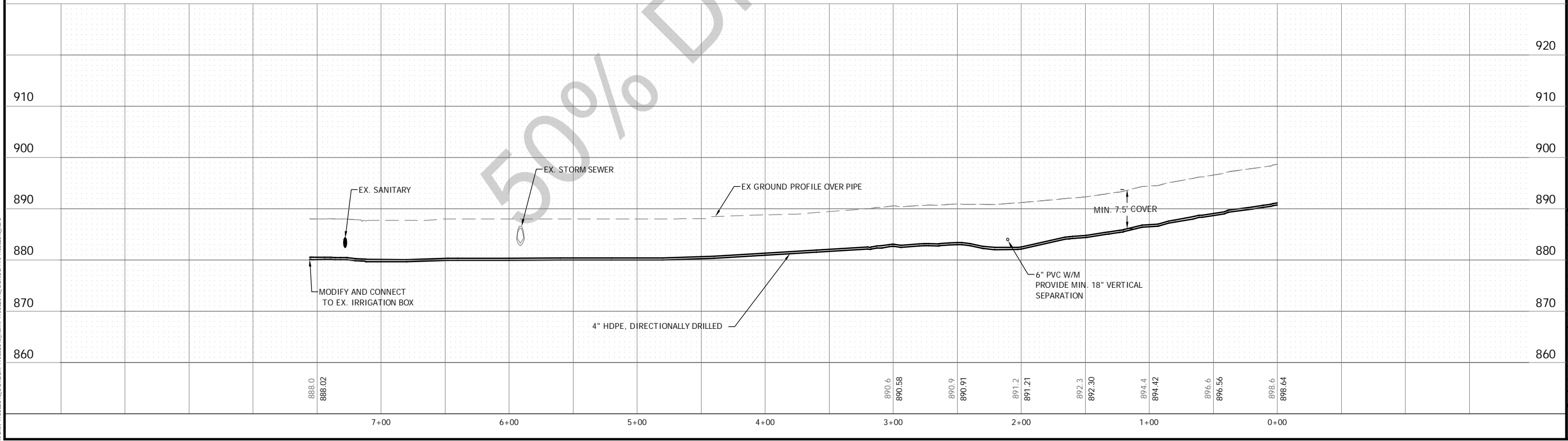
SURVEY	
DRAWN	ACD
DESIGNED	CWL
CHECKED	CWL
APPROVED	CWL
PROJ. NO.	193802816
SHEET NUMBER	P1.01

THE CONTRACTOR SHALL VERIFY AND BE RESPONSIBLE FOR ALL DIMENSIONS. DO NOT SCALE THE DRAWING. ANY ERRORS OR OMISSIONS SHALL BE REPORTED TO STANTEC IMMEDIATELY. NO USE FOR ANY PURPOSE OTHER THAN THAT AUTHORIZED BY STANTEC IS FORBIDDEN.

Plot Date: 08/28/2016 - 10:53am
Drawing name: V:\193802816\CAD\DWG\193802816_P401.dwg
User: 193802816_BORDER
Sheet: 193802816_S001



NORTHWOOD PARK/ BOONE AVE N





Stantec
2355 Highway 36 W
St. Paul, MN 55113
www.stantec.com

I HEREBY CERTIFY THAT THIS PLAN, SPECIFICATION OR REPORT WAS PREPARED BY ME OR UNDER MY DIRECT SUPERVISION AND THAT I AM A DULY LICENSED PROFESSIONAL ENGINEER UNDER THE LAWS OF THE STATE OF MINNESOTA.

PRINT NAME: _____ LIC. NO. _____
 SIGNATURE: _____ DATE: _____

NEW HOPE, MINNESOTA
 2016 NORTHWOOD LAKE IMPROVEMENTS
 CITY PROJECT NO. 938
 STORM RE-USE FORCEMAIN PLAN AND PROFILE

NO.	REVISION	DATE

SURVEY	ACD
DRAWN	CWL
DESIGNED	CWL
CHECKED	CWL
APPROVED	CWL
PROJ. NO.	193802816

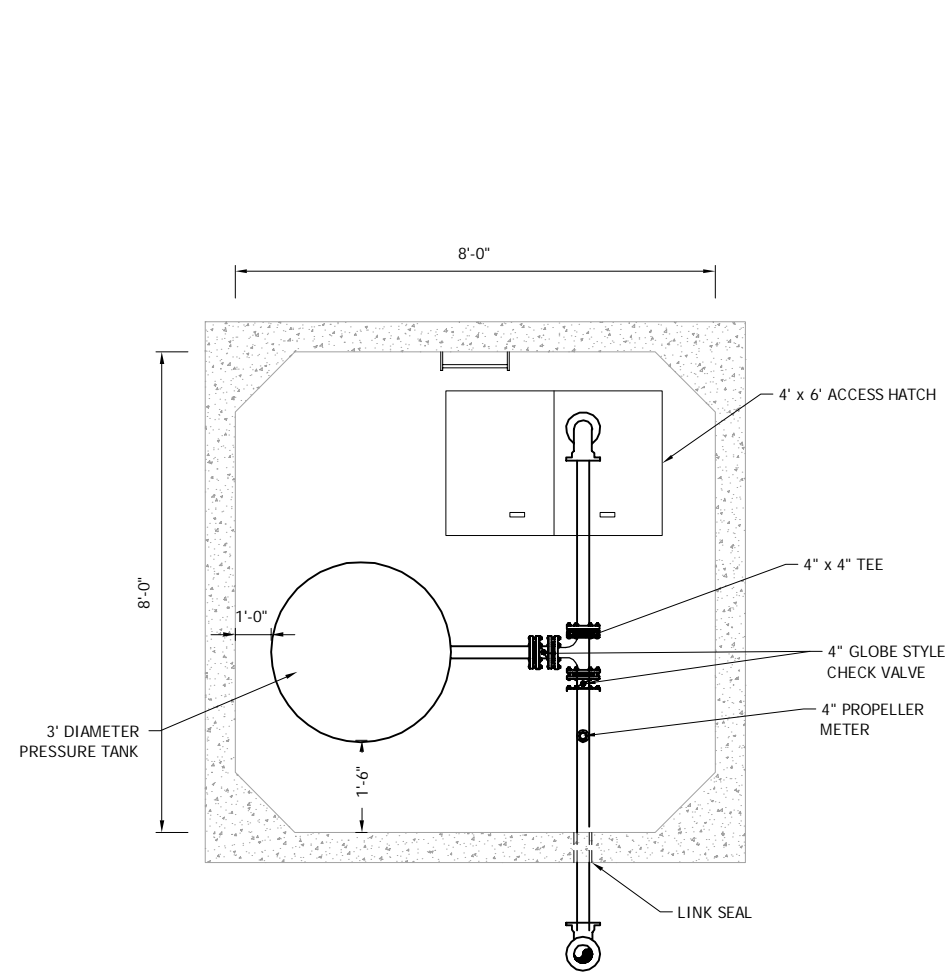
SHEET NUMBER
P4.01

THE CONTRACTOR SHALL VERIFY AND BE RESPONSIBLE FOR ALL DIMENSIONS. DO NOT SCALE THE DRAWING. ANY ERRORS OR OMISSIONS SHALL BE REPORTED TO STANTEC WITHOUT DELAY. NO USE FOR ANY PURPOSE OTHER THAN THAT AUTHORIZED BY STANTEC IS FORBIDDEN.

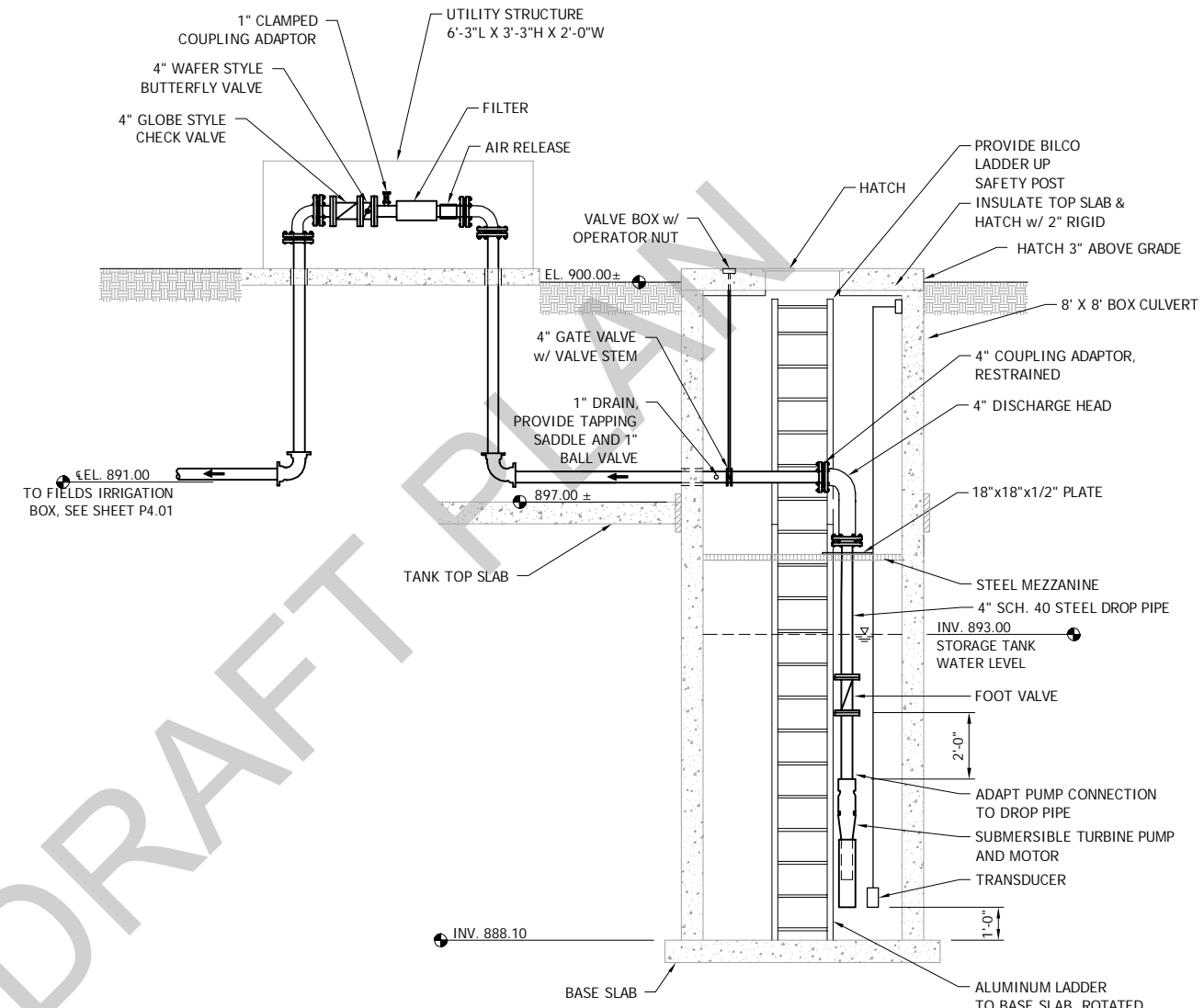
I HEREBY CERTIFY THAT THIS PLAN, SPECIFICATION OR REPORT WAS PREPARED BY ME OR UNDER MY DIRECT SUPERVISION AND THAT I AM A DULY LICENSED PROFESSIONAL ENGINEER UNDER THE LAWS OF THE STATE OF MINNESOTA.

PRINT NAME: _____
SIGNATURE: _____
DATE: _____
LIC. NO. _____

NEW HOPE, MINNESOTA
2016 NORTHWOOD LAKE IMPROVEMENTS
 CITY PROJECT NO. 938
STORM WATER REUSE BOOSTER STATION

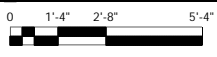


A STORM WATER REUSE MANHOLE PLAN



B STORM WATER REUSE MANHOLE SECTION

50% DRAFT



Plot Date: 08/28/2016 11:17am
 Drawing Name: V:\1938\active\193802816\CAD\DWG\193802816_P801.dwg
 User: jstender

NO	REVISION	DATE

PROJ. NO. 193802816
 SHEET NUMBER
P8.01