

Item 5A.  
BCWMC 1-20-22

EXISTING		PROPOSED	
800	MAJOR CONTOUR	800	MAJOR CONTOUR
798	MINOR CONTOUR	799	MINOR CONTOUR
[Symbol]	BUILDING	[Symbol]	BUILDING
[Symbol]	CATV	[Symbol]	CATV
[Symbol]	DT	[Symbol]	DT
[Symbol]	OE	[Symbol]	ELECTRIC (OVERHEAD)
[Symbol]	FENCE	[Symbol]	FENCE
[Symbol]	GAS	[Symbol]	GAS
[Symbol]	SANITARY SEWER	[Symbol]	SANITARY SEWER
[Symbol]	SANITARY MANHOLE	[Symbol]	SANITARY MANHOLE
[Symbol]	SIGN	[Symbol]	SIGN
[Symbol]	STORM SEWER	[Symbol]	STORM SEWER
[Symbol]	STORM MANHOLE	[Symbol]	STORM MANHOLE
[Symbol]	STORM CATCH BASIN	[Symbol]	STORM CATCH BASIN
[Symbol]	TELEPHONE	[Symbol]	TELEPHONE
[Symbol]	TREE	[Symbol]	TREE
[Symbol]	TREELINE	[Symbol]	TREELINE
[Symbol]	WATER MAIN	[Symbol]	WATER MAIN
[Symbol]	GATE VALVE	[Symbol]	GATE VALVE
[Symbol]	HYDRANT	[Symbol]	HYDRANT
[Symbol]	PAVEMENT - BITUMINOUS	[Symbol]	PAVEMENT - BITUMINOUS
[Symbol]	PAVEMENT - CONCRETE	[Symbol]	PAVEMENT - CONCRETE
[Symbol]	RIPRAP	[Symbol]	RIPRAP
[Symbol]	GRAVEL SURFACE	[Symbol]	GRAVEL SURFACE
[Symbol]	BENCH	[Symbol]	BENCH
[Symbol]	RAIL	[Symbol]	RAIL
[Symbol]	SURVEY CONTROL POINT	[Symbol]	SURVEY CONTROL POINT
[Symbol]	SITE BENCHMARK	[Symbol]	SITE BENCHMARK
[Symbol]	SAMPLE LOCATIONS	[Symbol]	SAMPLE LOCATIONS
[Symbol]	CONSTRUCTION LIMITS	[Symbol]	CONSTRUCTION LIMITS
[Symbol]	REMOVALS	[Symbol]	REMOVALS
[Symbol]	CONSTRUCTION ENTRANCE	[Symbol]	CONSTRUCTION ENTRANCE
[Symbol]	EROSION CONTROL BLANKET	[Symbol]	EROSION CONTROL BLANKET
[Symbol]	INLET PROTECTION	[Symbol]	INLET PROTECTION
[Symbol]	SILT FENCE	[Symbol]	SILT FENCE
[Symbol]	SEDIMENT CONTROL LOG	[Symbol]	SEDIMENT CONTROL LOG
[Symbol]	REMOVAL - TREE	[Symbol]	REMOVAL - TREE
[Symbol]	REMOVAL - PAVEMENT	[Symbol]	REMOVAL - PAVEMENT
[Symbol]	RETAINING WALL	[Symbol]	RETAINING WALL
[Symbol]	SEEDING - TURF GRASS	[Symbol]	SEEDING - TURF GRASS

- GENERAL NOTES:**
- THE FIELD WORK FOR THIS SURVEY WAS COMPLETED IN AUGUST, 2021 BY EGAN, FIELD & NOWAK, INC. SURFACE INFORMATION WEST OF MORGAN AVE S IS FROM LIDAR.
  - HORIZONTAL DATUM CORRESPONDS TO MNDOT HENNEPIN COUNTY, US FEET. VERTICAL DATUM CORRESPONDS TO NATIONAL GEODETIC VERTICAL DATUM OF 1929 (NGVD 29).
  - BEARINGS SHOWN HEREON ARE BASED ON XXX.
  - SURVEYED PROPERTY CONTAINS XX.
  - ABOVE GROUND UTILITIES HAVE BEEN FIELD LOCATED AS SHOWN. UNDERGROUND UTILITIES SHOWN HEREON ARE THOSE WHICH WERE FIELD MARKED BY UTILITY COMPANIES RESPONDING TO GOPHER STATE ONE CALL, TICKET No. XX.

CONTROL POINTS				
NO.	DESCRIPTION	ELEV.	NORTHING	EASTING
300	CP 5/8 REBAR 86 ADJ NGVD29	811.40	166552.28	521132.87
301	CP 5/8 REBAR 86 ADJ NGVD29	815.93	166749.47	520870.29
302	CP SPIKE EFN ADJ 86 NGVD29	822.48	167048.31	520817.18
303	CP SPIKE EFN ADJ 86 NGVD29	822.80	166295.76	520596.95
352	CP 5/8 REBAR EFN ADJ 86 NAVD29	815.69	166430.28	521567.39

PRELIMINARY DRAFT  
NOT FOR CONSTRUCTION

BRYN MAWR MEADOWS WQ IMPROVEMENTS		BARR PROJECT No.
MINNEAPOLIS, MN		23/27-1887.00
EXISTING CONDITIONS		CLIENT PROJECT No.
DWG. No.	REV. No.	
C1.0	B	

BASSETT CREEK WMC  
MINNEAPOLIS, MN

Scale	AS SHOWN
Date	12/17/2021
Drawn	JMD3
Checked	JPP
Designed	BARR
Approved	MAK

Project Office:  
**BARR ENGINEERING CO.**  
4300 MARKETPOINTE DRIVE  
SUITE 200  
MINNEAPOLIS, MN 55435

Corporate Headquarters:  
Minneapolis, Minnesota  
Ph: 1-800-632-2277  
Fax: (952) 832-2601  
www.barr.com

CLIENT BID	01/12/22
CONSTRUCTION CITY REVIEW	
RELEASED TO/FOR	A B C D 0 1 2
DATE RELEASED	

I HEREBY CERTIFY THAT THIS PLAN, SPECIFICATION, OR REPORT WAS PREPARED BY ME OR UNDER MY DIRECT SUPERVISION AND THAT I AM A DULY LICENSED PROFESSIONAL ENGINEER UNDER THE LAWS OF THE STATE OF MINNESOTA.

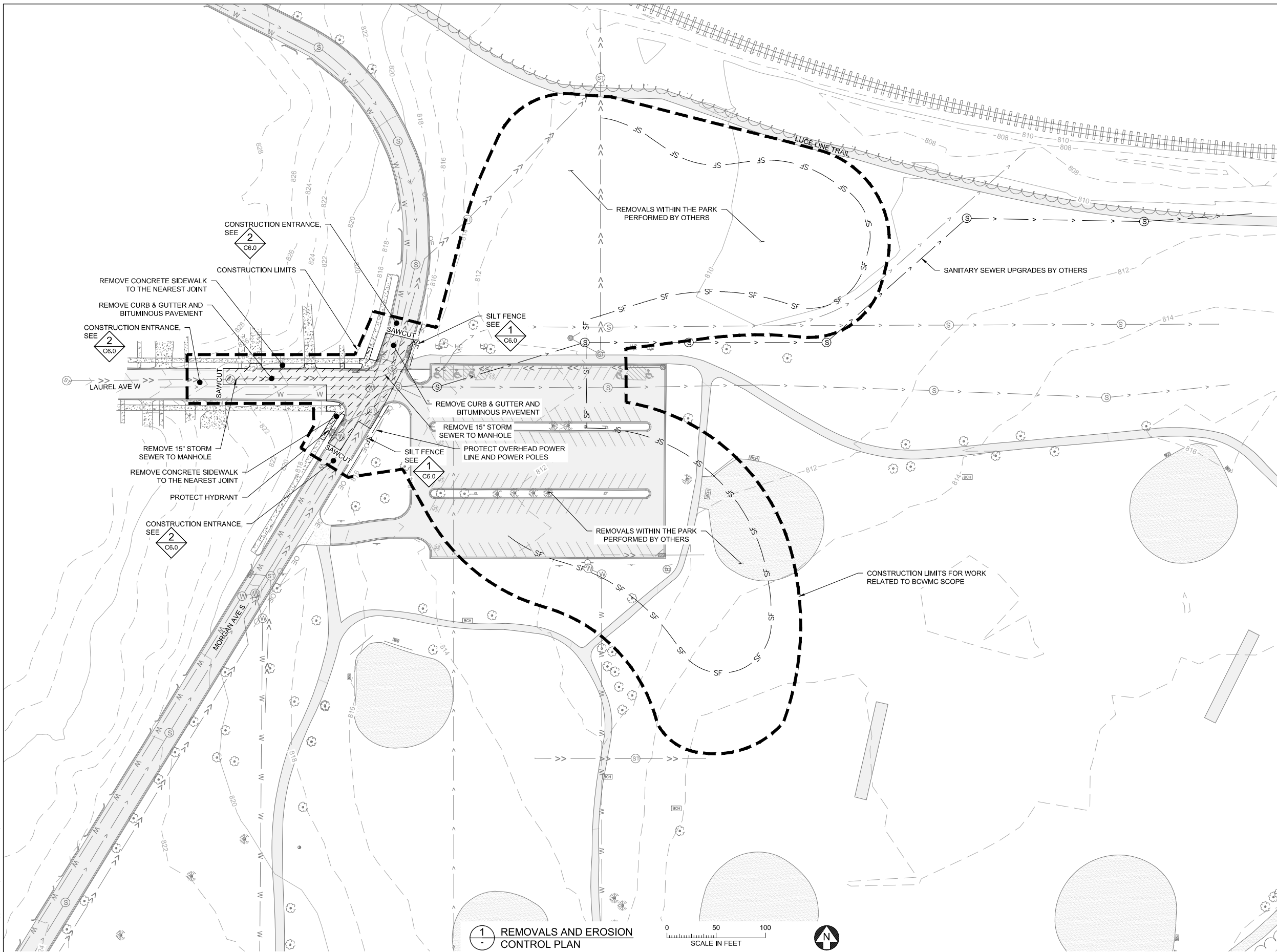
PRINTED NAME: JOSHUA P. PHILLIPS  
SIGNATURE: \_\_\_\_\_  
DATE: \_\_\_\_\_ LICENSE # 58685

NO.	BY	CHK.	APP.	DATE	REVISION DESCRIPTION
B	JMD3	JPP	MAK	01/12/2022	ISSUED FOR 50% BCWMC
A	JMD3	JPP	MAK	12/17/2021	ISSUED FOR 30% REVIEW

CADD USER: Jacob M. Daire FILE: M:\DESIGN\23271887\_00\2327188700\_C1\0\_EXISTING CONDITIONS.DWG PLOT SCALE: 1:2 PLOT DATE: 1/17/2022 2:48 PM  
BARR M:\AutoCAD 2011\AutoCAD 2011\Support\enu\Template\Bar\_2011\_Template.dwt Plot at 1: 10/05/2010 14:09:50

CADD USER: Jacob M. Daire FILE: M:\DESIGN\23271887\00\23271887\00\_C1\_1\_EROSION CONTROL AND REMOVALS.DWG PLOT SCALE: 1:2 PLOT DATE: 1/22/2022 11:32 AM

BAR: M:\AutoCAD 2011\AutoCAD 2011\Support\enu\Template\Bar\_2011\_Template.dwt Plot at 1: 10/05/2010 14:09:50



LEGEND		
EXISTING	MAJOR CONTOUR	PROPOSED
800	798	800
	MINOR CONTOUR	799
[Symbol]	BUILDING	[Symbol]
[Symbol]	CABLE TV	[Symbol]
[Symbol]	CATV	[Symbol]
[Symbol]	DRAIN TILE	[Symbol]
[Symbol]	ELECTRIC (OVERHEAD)	[Symbol]
[Symbol]	FENCE	[Symbol]
[Symbol]	GAS	[Symbol]
[Symbol]	SANITARY SEWER	[Symbol]
[Symbol]	SANITARY MANHOLE	[Symbol]
[Symbol]	SIGN	[Symbol]
[Symbol]	STORM SEWER	[Symbol]
[Symbol]	STORM MANHOLE	[Symbol]
[Symbol]	STORM CATCH BASIN	[Symbol]
[Symbol]	TELEPHONE	[Symbol]
[Symbol]	TREE	[Symbol]
[Symbol]	TREELINE	[Symbol]
[Symbol]	WATER MAIN	[Symbol]
[Symbol]	GATE VALVE	[Symbol]
[Symbol]	HYDRANT	[Symbol]
[Symbol]	PAVEMENT - BITUMINOUS	[Symbol]
[Symbol]	PAVEMENT - CONCRETE	[Symbol]
[Symbol]	RIPRAP	[Symbol]
[Symbol]	GRAVEL SURFACE	[Symbol]
[Symbol]	BENCH	[Symbol]
[Symbol]	RAIL	[Symbol]
[Symbol]	SURVEY CONTROL POINT	[Symbol]
[Symbol]	SITE BENCHMARK	[Symbol]
[Symbol]	SAMPLE LOCATIONS	[Symbol]
[Symbol]	CONSTRUCTION LIMITS	[Symbol]
[Symbol]	REMOVALS	[Symbol]
[Symbol]	CONSTRUCTION ENTRANCE	[Symbol]
[Symbol]	EROSION CONTROL BLANKET	[Symbol]
[Symbol]	INLET PROTECTION	[Symbol]
[Symbol]	SILT FENCE	[Symbol]
[Symbol]	SEDIMENT CONTROL LOG	[Symbol]
[Symbol]	REMOVAL - TREE	[Symbol]
[Symbol]	REMOVAL - PAVEMENT	[Symbol]
[Symbol]	RETAINING WALL	[Symbol]
[Symbol]	SEEDING - TURF GRASS	[Symbol]

- EROSION AND SEDIMENT CONTROL NOTES:**
- LOCATE ALL EXISTING UTILITIES WITHIN THE PROJECT LIMITS PRIOR TO REMOVALS.
  - INSTALL PERIMETER EROSION AND SEDIMENT CONTROL BEST MANAGEMENT PRACTICES (BMPs) PRIOR TO THE COMMENCEMENT OF ANY LAND DISTURBANCE OR CONSTRUCTION ACTIVITIES. ALL PERIMETER AND DOWNSTREAM SEDIMENT CONTROL BMPs MUST BE INSPECTED BY THE CITY PRIOR TO ANY SITE WORK.
  - PROTECT ALL TREES NOT MARKED FOR REMOVAL AND MINIMIZE DAMAGE TO ROOT ZONE.
  - PROTECT EXISTING STRUCTURES, UTILITIES, PAVEMENT, AND FACILITIES NOT MARKED FOR REMOVAL.
  - ANY DAMAGE TO THE EXISTING INFRASTRUCTURE SHALL BE CORRECTED TO THE OWNER'S SATISFACTION AT THE CONTRACTOR'S EXPENSE.
  - COORDINATE WITH CITY FOR TRAFFIC CONTROL MATERIALS, EQUIPMENT STORAGE AND STOCKPILING, MAINTAIN ACCESS TO STREET SWEEPING EQUIPMENT AT ALL TIMES. SWEEP STREETS ADJACENT TO THE CONSTRUCTION THAT HAS SEDIMENT OR TRACKED MATERIAL DEPOSITS PRIOR TO ANY RAINFALL EVENT ON A DAILY BASIS OR AS OTHERWISE DIRECTED BY THE ENGINEER.
  - PROVIDE EROSION CONTROL BMPs ON SLOPES GREATER THAN OR EQUAL TO 3:1 IMMEDIATELY AFTER GRADING IS FINISHED TO MINIMIZE EROSION.
  - REFER TO SWPPP FOR ADDITIONAL INFORMATION.

**1** REMOVALS AND EROSION CONTROL PLAN  
SCALE IN FEET

NO.	BY	CHK.	APP.	DATE	REVISION DESCRIPTION
B	JMD3	JPP	MAK	01/12/2022	ISSUED FOR 50% BCWMC
A	JMD3	JPP	MAK	12/17/2021	ISSUED FOR 30% REVIEW

I HEREBY CERTIFY THAT THIS PLAN, SPECIFICATION, OR REPORT WAS PREPARED BY ME OR UNDER MY DIRECT SUPERVISION AND THAT I AM A DULY LICENSED PROFESSIONAL ENGINEER UNDER THE LAWS OF THE STATE OF MINNESOTA.

PRINTED NAME: JOSHUA P. PHILLIPS  
SIGNATURE: \_\_\_\_\_  
DATE: \_\_\_\_\_ LICENSE # 58685

CLIENT BID	01/12/22					
CONSTRUCTION CITY REVIEW						
RELEASED TO/FOR	A	B	C	D	0	1 2
DATE RELEASED						

**BARR** ENGINEERING CO.  
4300 MARKETPOINTE DRIVE  
SUITE 200  
MINNEAPOLIS, MN 55435

Project Office:  
BARR ENGINEERING CO.  
4300 MARKETPOINTE DRIVE  
SUITE 200  
MINNEAPOLIS, MN 55435

Corporate Headquarters:  
Minneapolis, Minnesota  
Ph: 1-800-632-2277  
Ph: (952) 832-2601  
www.barr.com

Scale	AS SHOWN
Date	12/17/2021
Drawn	JMD3
Checked	JPP
Designed	BARR
Approved	MAK

**BASSETT CREEK WMC**  
MINNEAPOLIS, MN

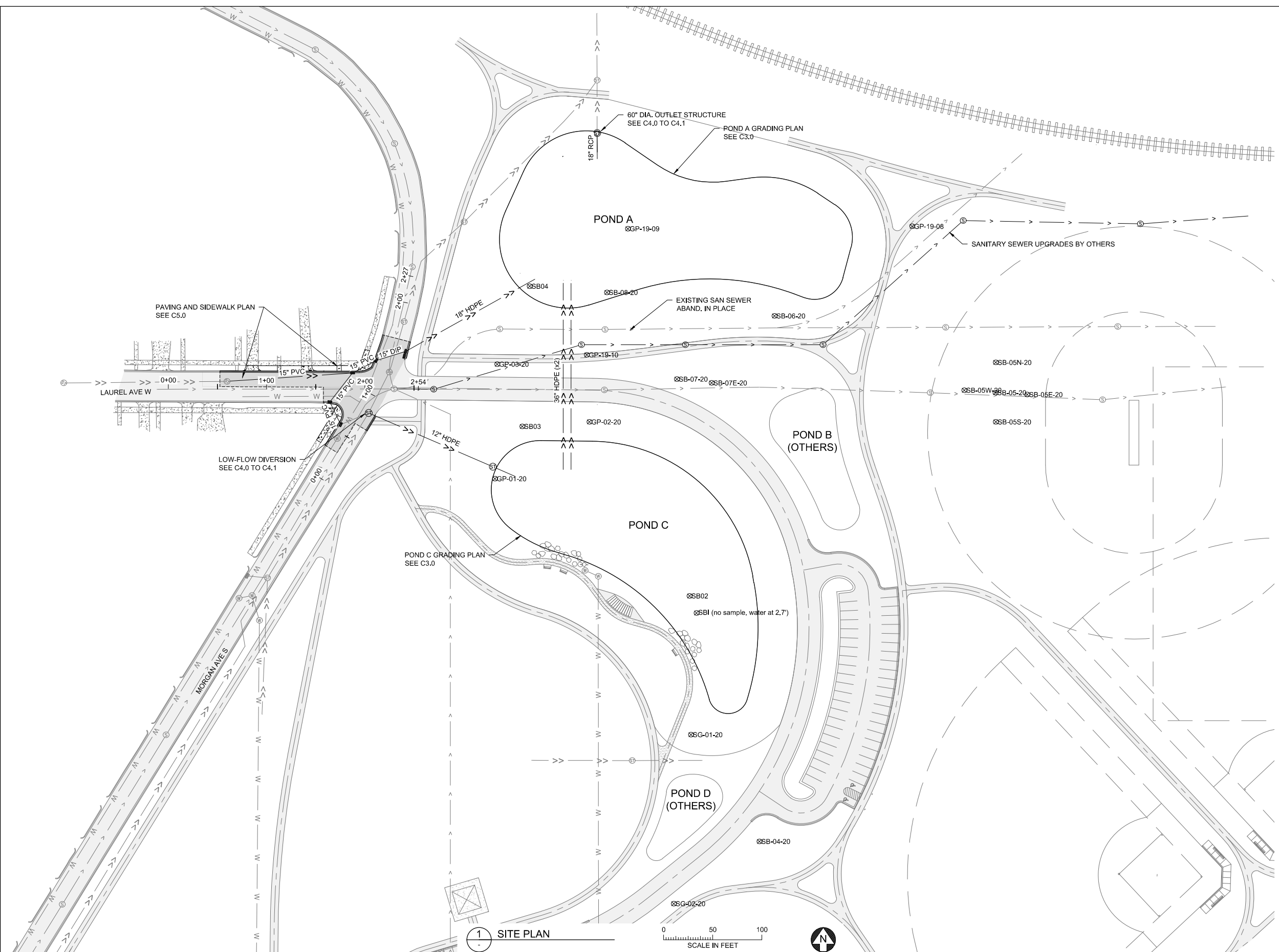
**BRYN MAWR MEADOWS WQ IMPROVEMENTS**  
MINNEAPOLIS, MN

REMOVALS AND EROSION CONTROL PLAN

BARR PROJECT No.	23/27-1887.00
CLIENT PROJECT No.	
DWG. No.	C1.1
REV. No.	B

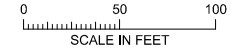
PRELIMINARY DRAFT  
NOT FOR CONSTRUCTION

CADD USER: Jacob M. Daire FILE: M:\DESIGN\23271887\002327188700\_C2\_0\_SITE PLAN.DWG PLOT SCALE: 1:2 PLOT DATE: 11/29/2022 11:28 AM  
 BARR M:\AutoCAD 2011\AutoCAD 2011 Support\enu\Template\Bar\_2011\_Template.dwt Plot at 1: 10/05/2010 14:03:50



LEGEND		
EXISTING		PROPOSED
800	MAJOR CONTOUR	800
798	MINOR CONTOUR	799
[Hatched Box]	BUILDING	[Hatched Box]
[Dashed Line]	CABLE TV	[Dashed Line]
[Dashed Line]	DRAIN TILE	[Dashed Line]
[Dashed Line]	ELECTRIC (OVERHEAD)	[Dashed Line]
X	FENCE	X
[Dashed Line]	GAS	[Dashed Line]
[Dashed Line]	SANITARY SEWER	[Dashed Line]
[Circle with S]	SANITARY MANHOLE	[Circle with S]
[Circle with H/C]	SIGN	[Circle with H/C]
[Dashed Line]	STORM SEWER	[Dashed Line]
[Circle with ST]	STORM MANHOLE	[Circle with ST]
[Circle with T]	STORM CATCH BASIN	[Circle with T]
[Circle with T]	TELEPHONE	[Circle with T]
[Tree Symbol]	TREE	[Tree Symbol]
[Dashed Line]	TREELINE	[Dashed Line]
W	WATER MAIN	W
[Circle with X]	GATE VALVE	[Circle with X]
[Circle with H]	HYDRANT	[Circle with H]
[Pattern]	PAVEMENT - BITUMINOUS	[Pattern]
[Pattern]	PAVEMENT - CONCRETE	[Pattern]
[Pattern]	RIPRAP	[Pattern]
[Pattern]	GRAVEL SURFACE	[Pattern]
[Rectangular Box]	BENCH	[Rectangular Box]
[Crossed Lines]	RAIL	[Crossed Lines]
[Triangle]	SURVEY CONTROL POINT	[Triangle]
[Crosshair]	SITE BENCHMARK	[Crosshair]
[Circle]	SAMPLE LOCATIONS	[Circle]
[Dashed Line]	CONSTRUCTION LIMITS	[Dashed Line]
[Hatched Box]	REMOVALS	[Hatched Box]
[Dashed Line]	CONSTRUCTION ENTRANCE	[Dashed Line]
[Pattern]	EROSION CONTROL BLANKET	[Pattern]
[Circle]	INLET PROTECTION	[Circle]
[Dashed Line]	SILT FENCE	[Dashed Line]
[Dashed Line]	SEDIMENT CONTROL LOG	[Dashed Line]
X	REMOVAL - TREE	X
[Hatched Box]	REMOVAL - PAVEMENT	[Hatched Box]
[Dashed Line]	RETAINING WALL	[Dashed Line]
[Dashed Line]	SEEDING - TURF GRASS	[Dashed Line]

1 SITE PLAN



PRELIMINARY DRAFT  
NOT FOR CONSTRUCTION

NO.	BY	CHK.	APP.	DATE	REVISION DESCRIPTION
B	JMD3	JPP	MAK	01/12/2022	ISSUED FOR 50% BCWMC
A	JMD3	JPP	MAK	12/17/2021	ISSUED FOR 30% REVIEW

I HEREBY CERTIFY THAT THIS PLAN, SPECIFICATION, OR REPORT WAS PREPARED BY ME OR UNDER MY DIRECT SUPERVISION AND THAT I AM A DULY LICENSED PROFESSIONAL ENGINEER UNDER THE LAWS OF THE STATE OF MINNESOTA.

PRINTED NAME: JOSHUA P. PHILLIPS  
 SIGNATURE: \_\_\_\_\_  
 DATE: \_\_\_\_\_ LICENSE # 58685

CLIENT	BD	CONSTRUCTION	CITY REVIEW
01/12/22			
A	B	C	D
0	1	2	

Project Office:  
**BARR ENGINEERING CO.**  
 4300 MARKETPOINTE DRIVE  
 Suite 200  
 MINNEAPOLIS, MN 55435

Corporate Headquarters:  
 Minneapolis, Minnesota  
 Ph: 1-800-632-2277  
 Fax: (952) 832-2601  
 www.barr.com

Scale	AS SHOWN
Date	12/17/2021
Drawn	JMD3
Checked	JPP
Designed	BARR
Approved	MAK

**BASSETT CREEK WMC**  
MINNEAPOLIS, MN

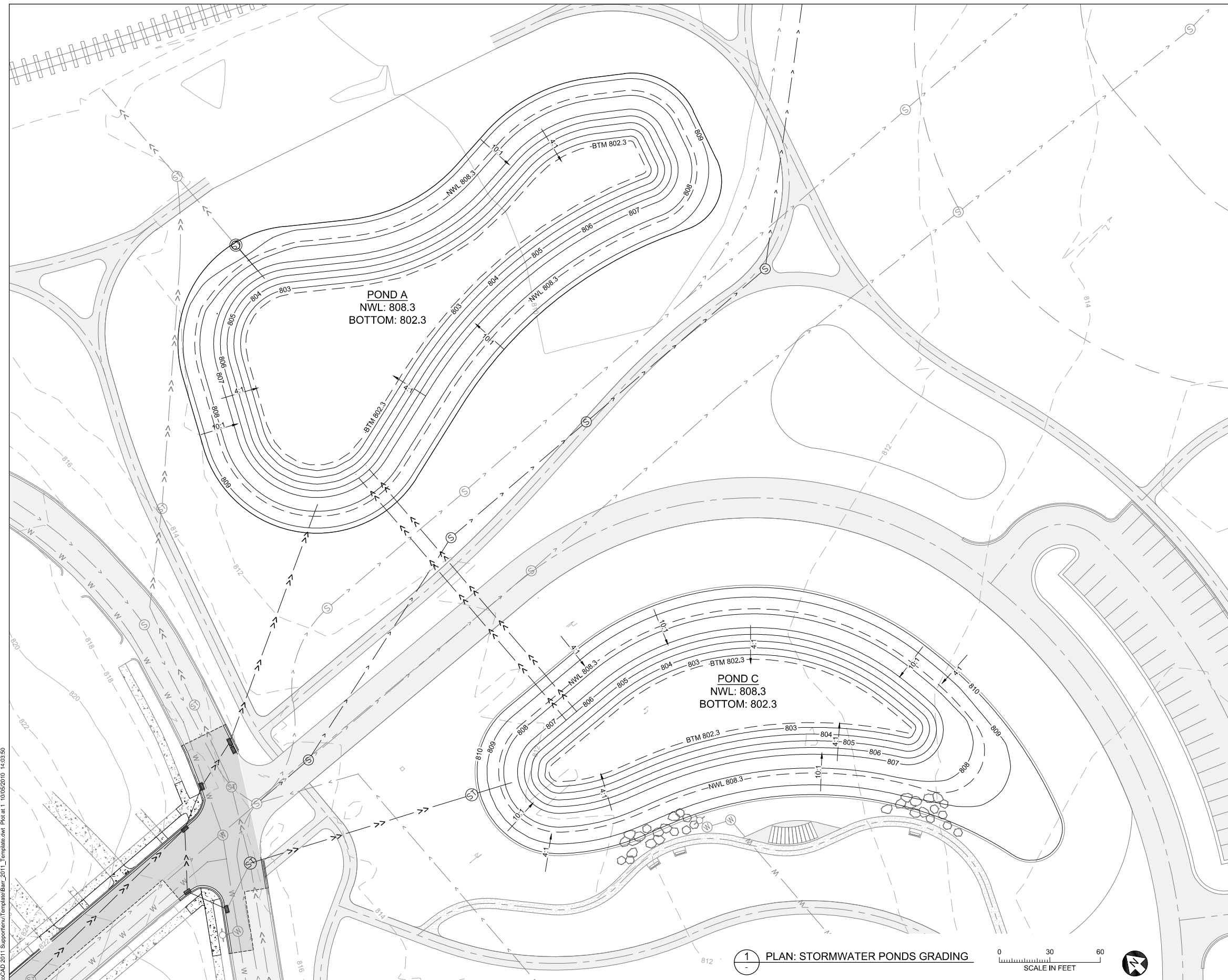
**BRYN MAWR MEADOWS WQ IMPROVEMENTS**  
MINNEAPOLIS, MN

SITE PLAN

BARR PROJECT No. 23/27-1887.00	
CLIENT PROJECT No.	
DWG. No. C2.0	REV. No. B

CADD USER: Jacob M. Daire FILE: M:\DESIGN\23271887\00\23271887\00\_C3\_01\_GRADING PLAN.DWG PLOT SCALE: 1:2 PLOT DATE: 11/11/2022 9:12 AM

BARR PLANTCAD 2011 AutoCAD 2011 Support\enu\Template\Bar\_2011\_Template.dwt Plot at 1 10/05/2010 14:09:50



1 PLAN: STORMWATER PONDS GRADING

0 30 60  
SCALE IN FEET

LEGEND		
EXISTING	MAJOR CONTOUR	PROPOSED
800	798	800
798	MINOR CONTOUR	799
BUILDING	BUILDING	BUILDING
CABLE TV	CABLE TV	CABLE TV
DRAIN TILE	DRAIN TILE	DRAIN TILE
ELECTRIC (OVERHEAD)	ELECTRIC (OVERHEAD)	ELECTRIC (OVERHEAD)
FENCE	FENCE	FENCE
GAS	GAS	GAS
SANITARY SEWER	SANITARY SEWER	SANITARY SEWER
SANITARY MANHOLE	SANITARY MANHOLE	SANITARY MANHOLE
SIGN	SIGN	SIGN
STORM SEWER	STORM SEWER	STORM SEWER
STORM MANHOLE	STORM MANHOLE	STORM MANHOLE
STORM CATCH BASIN	STORM CATCH BASIN	STORM CATCH BASIN
TELEPHONE	TELEPHONE	TELEPHONE
TREE	TREE	TREE
TREELINE	TREELINE	TREELINE
WATER MAIN	WATER MAIN	WATER MAIN
GATE VALVE	GATE VALVE	GATE VALVE
HYDRANT	HYDRANT	HYDRANT
PAVEMENT - BITUMINOUS	PAVEMENT - BITUMINOUS	PAVEMENT - BITUMINOUS
PAVEMENT - CONCRETE	PAVEMENT - CONCRETE	PAVEMENT - CONCRETE
RIPRAP	RIPRAP	RIPRAP
GRAVEL SURFACE	GRAVEL SURFACE	GRAVEL SURFACE
BENCH	BENCH	BENCH
RAIL	RAIL	RAIL
SURVEY CONTROL POINT	SURVEY CONTROL POINT	SURVEY CONTROL POINT
SITE BENCHMARK	SITE BENCHMARK	SITE BENCHMARK
SAMPLE LOCATIONS	SAMPLE LOCATIONS	SAMPLE LOCATIONS
CONSTRUCTION LIMITS	CONSTRUCTION LIMITS	CONSTRUCTION LIMITS
REMOVALS	REMOVALS	REMOVALS
CONSTRUCTION ENTRANCE	CONSTRUCTION ENTRANCE	CONSTRUCTION ENTRANCE
EROSION CONTROL BLANKET	EROSION CONTROL BLANKET	EROSION CONTROL BLANKET
INLET PROTECTION	INLET PROTECTION	INLET PROTECTION
SILT FENCE	SILT FENCE	SILT FENCE
SEDIMENT CONTROL LOG	SEDIMENT CONTROL LOG	SEDIMENT CONTROL LOG
REMOVAL - TREE	REMOVAL - TREE	REMOVAL - TREE
REMOVAL - PAVEMENT	REMOVAL - PAVEMENT	REMOVAL - PAVEMENT
RETAINING WALL	RETAINING WALL	RETAINING WALL
SEEDING - TURF GRASS	SEEDING - TURF GRASS	SEEDING - TURF GRASS

**POND GRADING PLAN NOTES:**

1. GRADING SHOWN ON THIS SHEET IS ONLY FOR POND A AND C. FOR GRADING IN OTHER PARK AREAS, SEE XXX.

NO.	BY	CHK.	APP.	DATE	REVISION DESCRIPTION
B	JMD3	JPP	MAK	01/12/2022	ISSUED FOR 50% BCWMC
A	JMD3	JPP	MAK	12/17/2021	ISSUED FOR 30% REVIEW

I HEREBY CERTIFY THAT THIS PLAN, SPECIFICATION, OR REPORT WAS PREPARED BY ME OR UNDER MY DIRECT SUPERVISION AND THAT I AM A DULY LICENSED PROFESSIONAL ENGINEER UNDER THE LAWS OF THE STATE OF MINNESOTA.

PRINTED NAME: JOSHUA P. PHILLIPS  
SIGNATURE: \_\_\_\_\_  
DATE: \_\_\_\_\_ LICENSE # 58685

CLIENT	BID	CONSTRUCTION	CITY REVIEW	RELEASED TO/FOR	DATE RELEASED
	01/12/22			A B C D O 1 2	

**BARR** Project Office:  
BARR ENGINEERING CO.  
4300 MARKETPOINTE DRIVE  
Suite 200  
MINNEAPOLIS, MN 55435

Corporate Headquarters:  
Minneapolis, Minnesota  
Ph: 1-800-632-2277  
Fax: (952) 832-2601  
www.barr.com

Scale	AS SHOWN
Date	12/17/2021
Drawn	JMD3
Checked	JPP
Designed	BARR
Approved	MAK

**BASSETT CREEK WMC**  
MINNEAPOLIS, MN

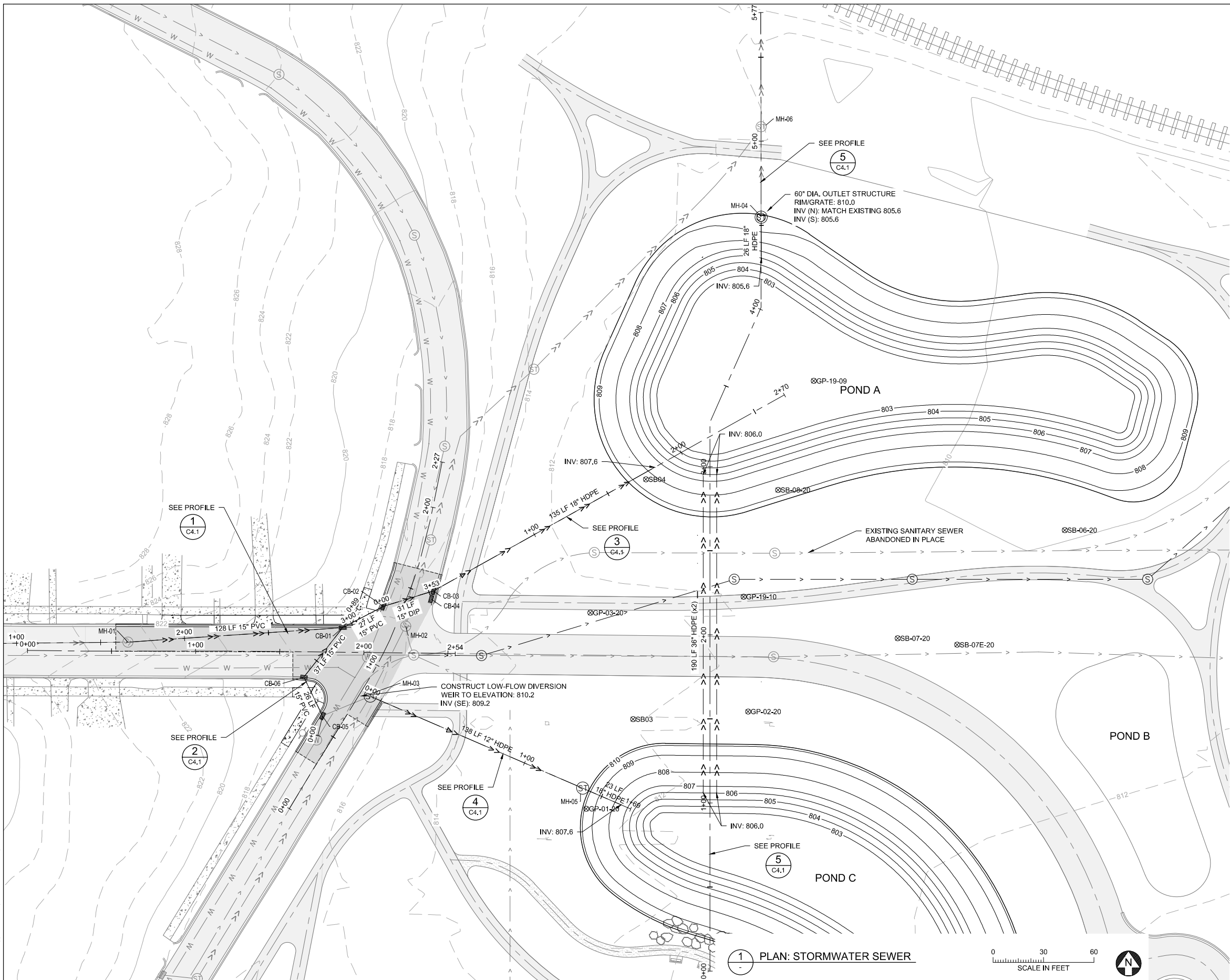
**BRYN MAWR MEADOWS WQ IMPROVEMENTS**  
MINNEAPOLIS, MN  
**GRADING PLAN**

BARR PROJECT No. 23/27-1887.00	
CLIENT PROJECT No.	
DWG. No. C3.0	REV. No. B

**PRELIMINARY DRAFT**  
**NOT FOR CONSTRUCTION**

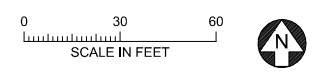


CADD USER: Jacob M. Daire FILE: M:\DESIGN\23271887\00\23271887\00\_C4\_1\_STORM\_PLAN.DWG PLOT SCALE: 1:2 PLOT DATE: 11/22/2022 11:26 AM  
 BARR M:\AutoCAD 2011\AutoCAD 2011\Support\enu\Template\Bar\_2011\_Template.dwg Plot at 1: 10/05/2010 14:03:50



LEGEND		
EXISTING	MAJOR CONTOUR	PROPOSED
800	798	800
798	MINOR CONTOUR	799
	BUILDING	
	CABLE TV	
	DRAIN TILE	
	ELECTRIC (OVERHEAD)	
	FENCE	
	GAS	
	SANITARY SEWER	
	SANITARY MANHOLE	
	SIGN	
	STORM SEWER	
	STORM MANHOLE	
	STORM CATCH BASIN	
	TELEPHONE	
	TREE	
	TREELINE	
	WATER MAIN	
	GATE VALVE	
	HYDRANT	
	PAVEMENT - BITUMINOUS	
	PAVEMENT - CONCRETE	
	RIPRAP	
	GRAVEL SURFACE	
	BENCH	
	RAIL	
	SURVEY CONTROL POINT	
	SITE BENCHMARK	
	SAMPLE LOCATIONS	
	CONSTRUCTION LIMITS	
	REMOVALS	
	CONSTRUCTION ENTRANCE	
	EROSION CONTROL BLANKET	
	INLET PROTECTION	
	SILT FENCE	
	SEDIMENT CONTROL LOG	
	REMOVAL - TREE	
	REMOVAL - PAVEMENT	
	RETAINING WALL	
	SEEDING - TURF GRASS	

1 PLAN: STORMWATER SEWER



NO.	BY	CHK.	APP.	DATE	REVISION DESCRIPTION
B	JMD3	JPP	MAK	01/12/2022	ISSUED FOR 50% BCWMC
A	JMD3	JPP	MAK	12/17/2021	ISSUED FOR 30% REVIEW

I HEREBY CERTIFY THAT THIS PLAN, SPECIFICATION, OR REPORT WAS PREPARED BY ME OR UNDER MY DIRECT SUPERVISION AND THAT I AM A DULY LICENSED PROFESSIONAL ENGINEER UNDER THE LAWS OF THE STATE OF MINNESOTA.

PRINTED NAME: JOSHUA P. PHILLIPS  
 SIGNATURE: \_\_\_\_\_  
 DATE: \_\_\_\_\_ LICENSE # 58685

CLIENT BID	01/12/22				
CONSTRUCTION CITY REVIEW					
RELEASED TO/FOR	A	B	C	D	0 1 2
DATE RELEASED					

**BARR** ENGINEERING CO.  
 4300 MARKETPOINTE DRIVE  
 Suite 200  
 MINNEAPOLIS, MN 55435

Corporate Headquarters:  
 Minneapolis, Minnesota  
 Ph: 1-800-632-2277  
 Ph: 1-800-632-2277  
 www.barr.com

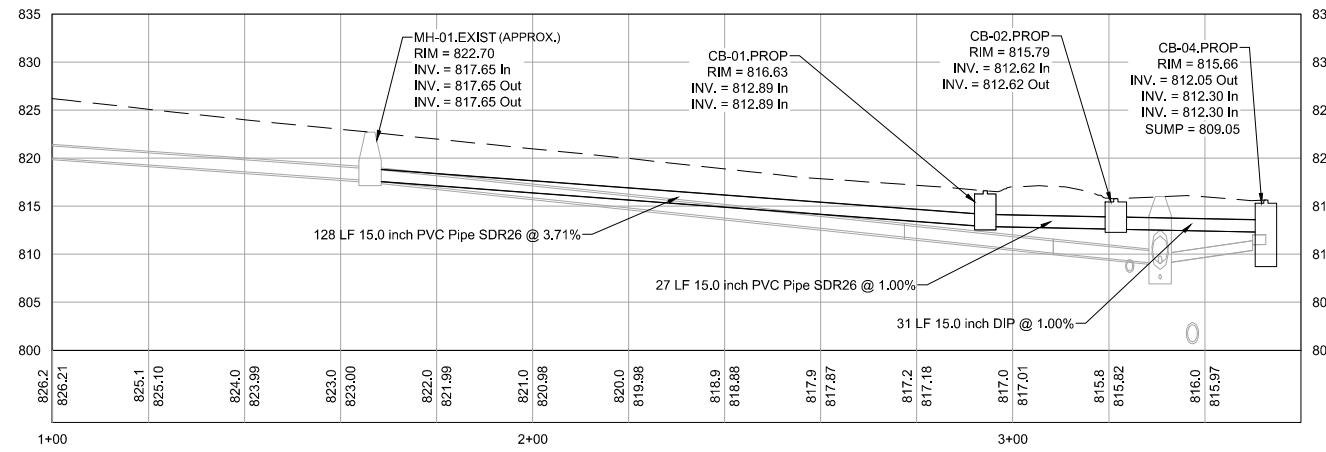
Scale	AS SHOWN
Date	12/17/2021
Drawn	JMD3
Checked	JPP
Designed	BARR
Approved	MAK

**BASSETT CREEK WMC**  
 MINNEAPOLIS, MN

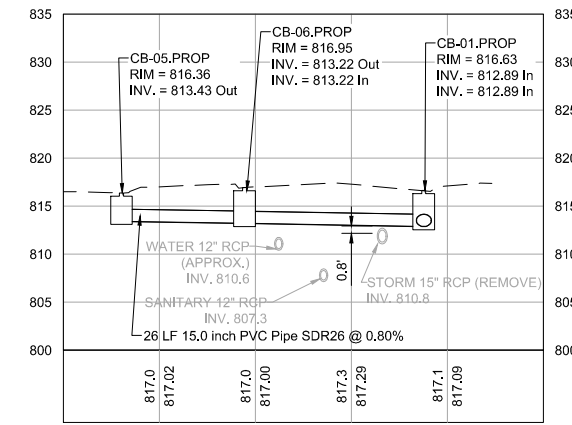
**BRYN MAWR MEADOWS WQ IMPROVEMENTS**  
 MINNEAPOLIS, MN  
 STORMWATER UTILITIES  
 PLAN

BARR PROJECT No. 23/27-1887.00	
CLIENT PROJECT No.	
DWG. No. C4.0	REV. No. B

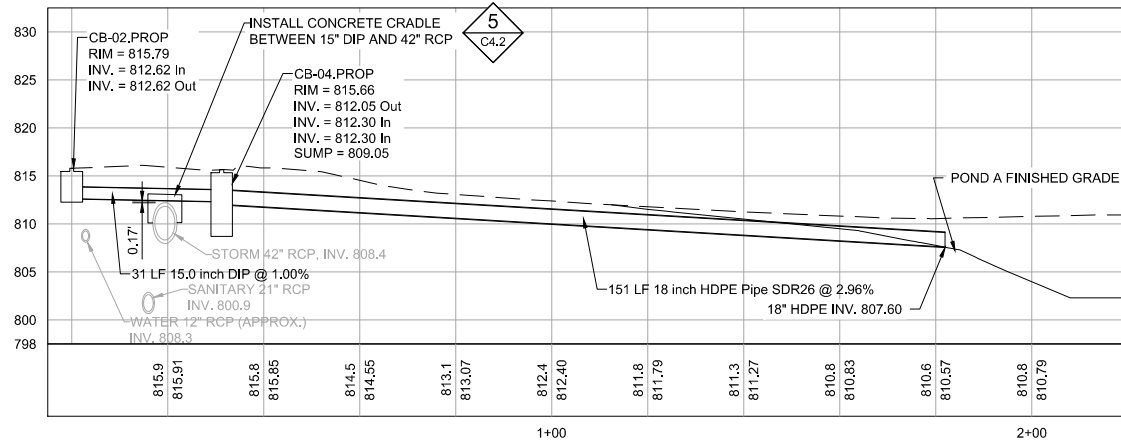
PRELIMINARY DRAFT  
 NOT FOR CONSTRUCTION



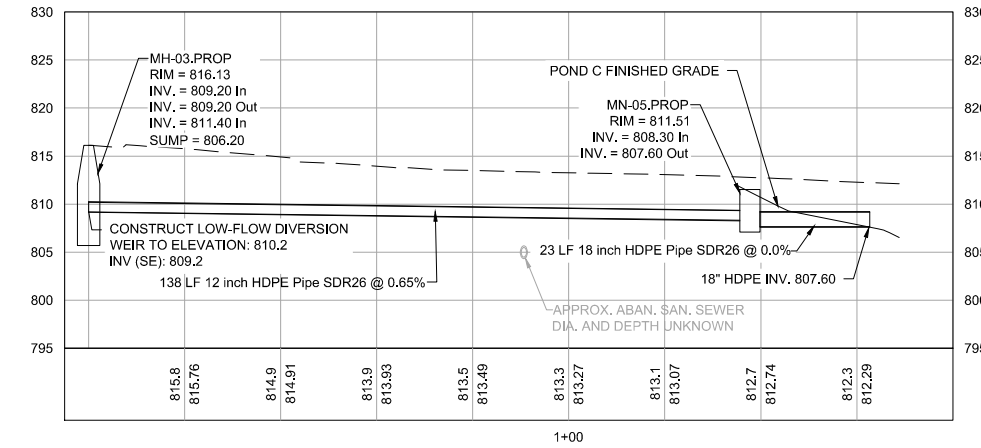
1 PROFILE: LAUREL AVE STORM WATER DIVERSION  
C4.0



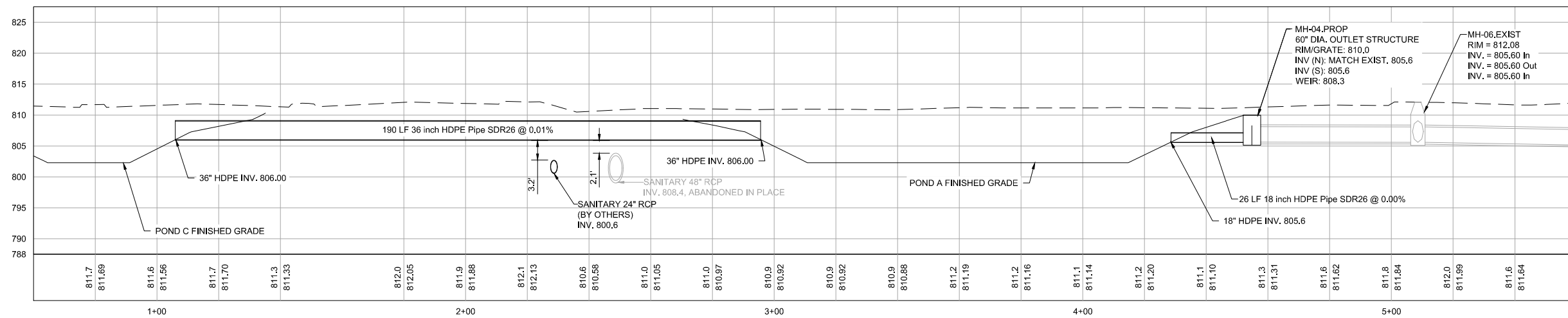
2 PROFILE: LAUREL AVE CROSSING  
C4.0



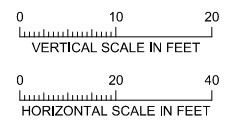
3 PROFILE: POND A INLET AND MORGAN AVE CROSSING  
C4.0



4 PROFILE: POND C INLET FROM LOW-FLOW DIVERSION  
C4.0



5 PROFILE: POND A AND C CONNECTION AND OUTLET  
C4.0



CADD USER: Jacob M. Daire FILE: M:\DESIGN\23271887\00\23271887\04\_L\_STORM\_PROFILES.DWG PLOT SCALE: 1:2 PLOT DATE: 1/12/2022 10:55 AM  
BARR M:\AutoCAD 2011\AutoCAD 2011 Support\enu\Template\Bar\_2011\_Template.dwt Plot at 1: 10/05/2010 14:09:50

NO.	BY	CHK.	APP.	DATE	REVISION DESCRIPTION
B	JMD3	JPP	MAK	01/12/2022	ISSUED FOR 50% BCWMC
A	JMD3	JPP	MAK	12/17/2021	ISSUED FOR 30% REVIEW

I HEREBY CERTIFY THAT THIS PLAN, SPECIFICATION, OR REPORT WAS PREPARED BY ME OR UNDER MY DIRECT SUPERVISION AND THAT I AM A DULY LICENSED PROFESSIONAL ENGINEER UNDER THE LAWS OF THE STATE OF MINNESOTA.

PRINTED NAME: JOSHUA P. PHILLIPS  
SIGNATURE: \_\_\_\_\_  
DATE: \_\_\_\_\_ LICENSE # 58685

CLIENT	BID	CONSTRUCTION CITY REVIEW	RELEASED TO/FOR	DATE RELEASED
	01/12/22		A B C D O 1 2	

Project Office:  
**BARR ENGINEERING CO.**  
4300 MARKETPOINTE DRIVE  
Suite 200  
MINNEAPOLIS, MN 55435

Corporate Headquarters:  
Minneapolis, Minnesota  
Ph: 1-800-632-2277  
Ph: (952) 832-2601  
Ph: 1-800-632-2277  
www.barr.com

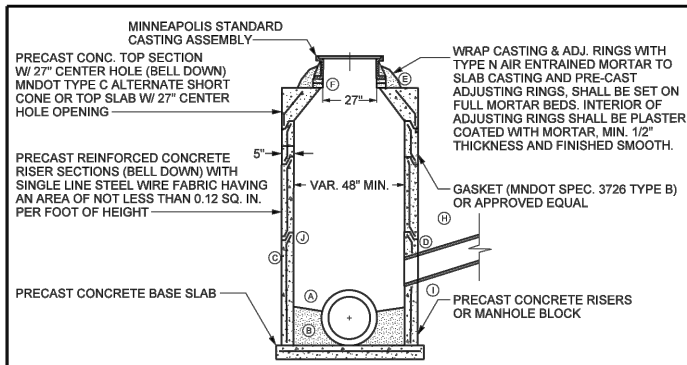
Scale	AS SHOWN
Date	12/17/2021
Drawn	JMD3
Checked	JPP
Designed	BARR
Approved	MAK

**BASSETT CREEK WMC**  
MINNEAPOLIS, MN

**BRYN MAWR MEADOWS WQ IMPROVEMENTS**  
MINNEAPOLIS, MN  
**STORMWATER UTILITIES PROFILES**

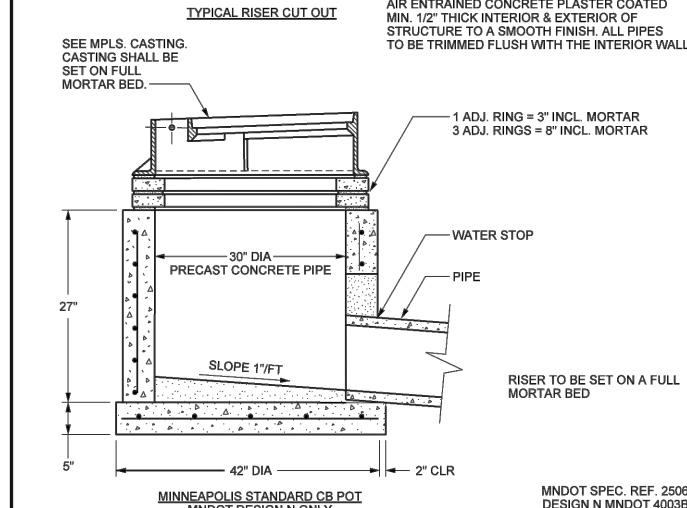
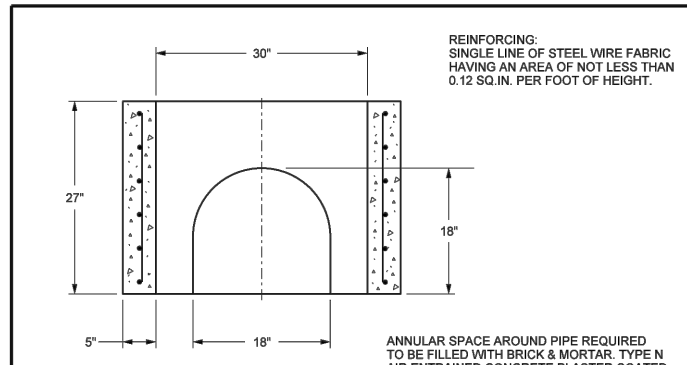
BARR PROJECT No. 23/27-1887.00	
CLIENT PROJECT No.	
DWG. No. C4.1	REV. No. B

PRELIMINARY DRAFT  
NOT FOR CONSTRUCTION

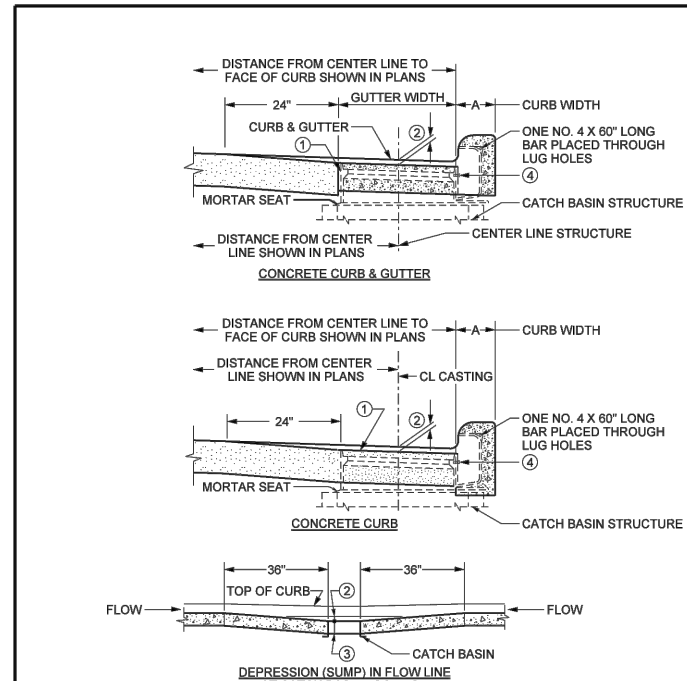


- FOLLOW MNDOT 2451.3-C - FOUNDATION PREPARATION AND COMPACTION REQUIREMENTS OF MNDOT 2105.3 F1 - SPECIFIED DENSITY METHOD (100% COMPACTION REQUIREMENTS OF STANDARD PROCTOR)
- MNDOT DESIGN F, MODIFIED CONTINUOUS INSIDE DIAMETER USE MINNEAPOLIS SHORT CONE SECTION (MNDOT TYPE C ALTERNATE) OR TOP SLAB ONLY
- (A) BOTTOM TO BE SHAPED 2/3 OF PIPE DIAMETER WITH POURED CONCRETE TO PROVIDE EFFICIENT FLOW.
  - (B) WHEN THE INVERT OF THE INLET PIPE IS BELOW THE SPRING LINE OF THE MAIN, THEN PROVIDE CONCRETE "POWER FLOWS" FOR POSITIVE DOWN STREAM FLOW THROUGH MANHOLE.
  - (C) PRE-CAST CONCRETE MANHOLE SECTIONS.
  - (D) FILL AROUND INLET PIPE AND LIFTING HOLES WITH CEMENT MORTAR, TYPE N AIR ENTRAINED, FINISH SMOOTH AS NECESSARY. ALL PIPES CONNECTING TO MH'S SHALL BE TRIMMED FLUSH TO THE INTERIOR WALL OF THE MH STRUCTURE.
  - (E) MANHOLE CASTING SHALL BE SET ON A FULL MORTAR BED, TYPE N AIR ENTRAINED
  - (F) THE NUMBER OF CONCRETE ADJUSTING RINGS SHALL BE LIMITED TO PROVIDE A MAXIMUM THICKNESS OF 8" INCLUDING MORTAR, TYPE N AIR ENTRAINED WITH A MINIMUM OF 1 - 2" ADJUSTING RING. ALL ADJUSTING RINGS TO BE NEATLY SEALED WITH CONCRETE GROUT, TYPE N AIR ENTRAINED, ON THE INTERIOR OF THE STRUCTURE. MINIMUM OF 2" OF ADJUSTING RINGS & MORTAR TYPE N AIR ENTRAINED REQUIRED. ALL WOOD AND NON-CONCRETE ADJUSTING DEVICES SHALL BE REMOVED.
  - (G) CONCRETE MANHOLE BLOCK MAY BE USED WITH THE APPROVAL OF CITY ENGINEER. INTERIOR & EXTERIOR OF BLOCK WORK SHALL BE MORTAR PLASTERED, TYPE N AIR ENTRAINED, TO A SMOOTH FINISH, MIN. 1/2" THICKNESS.
  - (H) SUITABLE BACKFILL UNIFORMLY DISTRIBUTED IN 8" OR LESS LAYERS AND COMPACTED BEFORE SUCCESSIVE LAYERS ARE ADDED. MNDOT 2451.3 D - BACKFILLING EXCAVATIONS, COMPACTION IN ACCORDANCE WITH MNDOT 2105.3 F1 - SPECIFIED DENSITY METHOD.
  - (I) FILL ANNULAR SPACE ON BELL END OF 1ST RISER SECTION WITH BRICK AND MORTAR, TYPE N AIR ENTRAINED, IF REQUIRED.
  - (J) WATER STOP REQUIRED ON PVC, DIP, VCP, HDPE, HOBAS, PPP.
- MINNEAPOLIS SHORT CONE SECTION SHALL BE USED UNLESS OTHERWISE SPECIFIED IN THE PLANS AND PLASTER COATED WITH TYPE N AIR ENTRAINED MORTAR (TO A SMOOTH FINISH).
- MINNEAPOLIS CUSTOM MNDOT SPEC. REF. 2506 MODIFIED MNDOT 4000J, 4005L NOT TO SCALE

Minneapolis Public Works	DRW: DCD	DATE: 12/09	TYPICAL MANHOLE CONSTRUCTION	STANDARD PLATE NO. SEWR-1000-R1
	APP: HRS	DATE: 12/09		

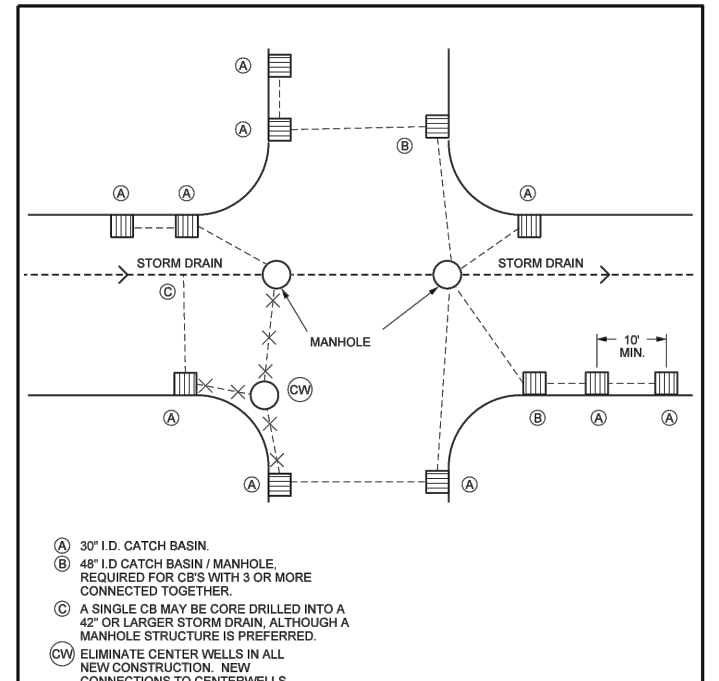


Minneapolis Public Works	DRW: DCD	DATE: 12/09	PRECAST CATCH BASIN POT	STANDARD PLATE NO. SEWR-1008-R1
	APP: HRS	DATE: 12/09		



- NOTES:
- 1 CATCH BASIN CASTING.
  - 2 ON ALL APPLICATIONS USE 1-1/4" SUMP. SUMP SHALL BE MEASURED AT CENTER OF CASTING.
  - 3 SAME THICKNESS AS ADJACENT PAVEMENT OR GUTTER.
  - 4 CURB INLET CASTING SHALL BE FASTENED TEMPORARILY TO FRAME CASTING WITH 2 CAP SCREWS, DURING CURB CONSTRUCTION. CAP SCREWS MUST BE REMOVED AFTER CURB HAS HARDENED.
- COMPENSATE FOR TILT BY VARYING THE DEPTH OF MORTAR SEAT. ALL REINFORCEMENT REQUIRED IS INCIDENTAL WITH NO DIRECT PAYMENT. ALL REBARS ARE IN ENGLISH DESIGNATIONS. ALL REBARS ARE GRADE 60
- MNDOT SPEC. REF. 2506 MNDOT 7111J NOT TO SCALE

Minneapolis Public Works	DRW: DCD	DATE: 5/03	CATCH BASIN INSTALLATION	STANDARD PLATE NO. SEWR-1009
	APP: HRS	DATE: 12/06		



- (A) 30" I.D. CATCH BASIN.
  - (B) 48" I.D. CATCH BASIN / MANHOLE, REQUIRED FOR CB'S WITH 3 OR MORE CONNECTED TOGETHER.
  - (C) A SINGLE CB MAY BE CORE DRILLED INTO A 42" OR LARGER STORM DRAIN, ALTHOUGH A MANHOLE STRUCTURE IS PREFERRED.
  - (CW) ELIMINATE CENTER WELLS IN ALL NEW CONSTRUCTION. NEW CONNECTIONS TO CENTERWELLS PROHIBITED.
- ALL PRIVATE CONNECTIONS WILL CONNECT TO MANHOLES ONLY. DOWNTOWN LOOP AREA MINIMUM PIPE SIZE IS 12", PIPE SIZE TO BE DETERMINED BY ENGINEER. RESIDENTIAL AREAS MINIMUM PIPE SIZE IS 10", PIPE SIZE TO BE DETERMINED BY ENGINEER. VERTICAL BENDS AND SIPHONS PROHIBITED, 90 DEGREE HORIZONTAL BENDS PROHIBITED. FOR CB RUNS GREATER THAN 65' IN LENGTH, MINIMUM PIPE SIZE IS 12". PROVIDE AN ADDITIONAL MANHOLE WHEN THERE ARE MORE THAN 4 CB RUNS TO A MANHOLE. TYPICAL CB PLACEMENT IS 2.5' FROM THE END OF RADIUS TO THE CENTER OF STRUCTURE.
- NOT TO SCALE

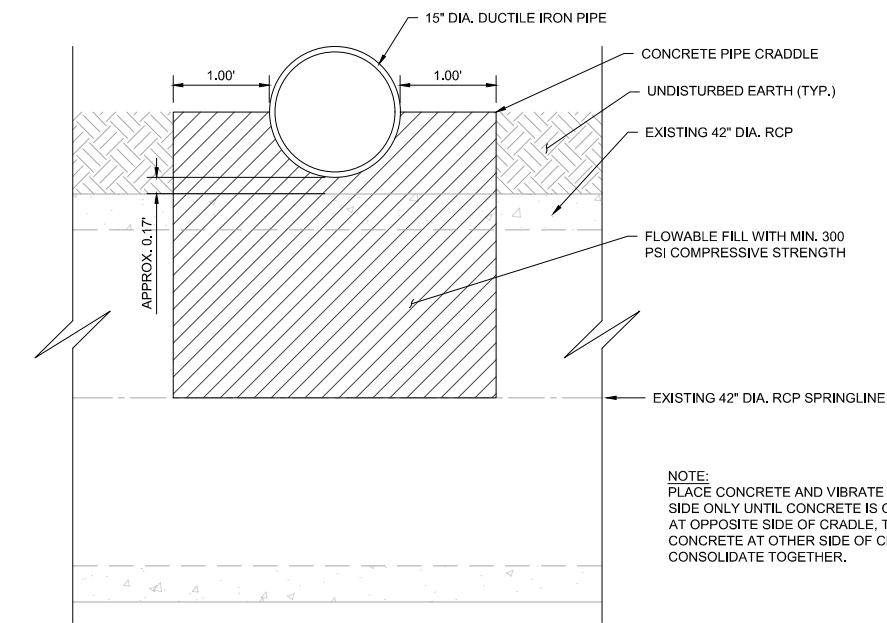
Minneapolis Public Works	DRW: DCD	DATE: 3/03	CATCH BASIN STRUCTURE REQUIREMENTS	STANDARD PLATE NO. SEWR-1010
	APP: HRS	DATE: 12/06		

1 DETAIL: MINNEAPOLIS PLATE NO. SEWR-1000-R1  
NOT TO SCALE

2 DETAIL: MINNEAPOLIS PLATE NO. SEWR-1008-R1  
NOT TO SCALE

3 DETAIL: MINNEAPOLIS PLATE NO. SEWR-1009  
NOT TO SCALE

4 DETAIL: MINNEAPOLIS PLATE NO. SEWR-1010  
NOT TO SCALE



5 DETAIL: CONCRETE PIPE CRADLE  
1"=1'-0"



NOTE:  
PLACE CONCRETE AND VIBRATE FROM ONE SIDE ONLY UNTIL CONCRETE IS OBSERVED AT OPPOSITE SIDE OF CRADLE, THEN PLACE CONCRETE AT OTHER SIDE OF CRADLE AND CONSOLIDATE TOGETHER.

CADD USER: Jacob M. Daire FILE: M:\DESIGN\23271987\002327198700\_C4\_X\_STORM\_DETAILS.DWG PLOT SCALE: 1:2 PLOT DATE: 11/11/2022 10:29 AM

BARR M:\AutoCAD 2011\AutoCAD 2011 Support\enu\Template\Bar\_2011\_Template.dwt Plot at 1: 10/05/2010 14:09:50

NO.	BY	CHK.	APP.	DATE	REVISION DESCRIPTION
B	JMD3	JPP	MAK	01/12/2022	ISSUED FOR 50% BCWMC
A	JMD3	JPP	MAK	12/17/2021	ISSUED FOR 30% REVIEW

I HEREBY CERTIFY THAT THIS PLAN, SPECIFICATION, OR REPORT WAS PREPARED BY ME OR UNDER MY DIRECT SUPERVISION AND THAT I AM A DULY LICENSED PROFESSIONAL ENGINEER UNDER THE LAWS OF THE STATE OF MINNESOTA.

PRINTED NAME: JOSHUA P. PHILLIPS  
SIGNATURE: \_\_\_\_\_  
DATE: \_\_\_\_\_ LICENSE # 58685

CLIENT	01/12/22						
BID							
CONSTRUCTION							
CITY REVIEW							
RELEASED TO/FOR	A	B	C	D	0	1	2
DATE RELEASED							

Project Office:  
BARR ENGINEERING CO.  
4300 MARKETPOINTE DRIVE  
Suite 200  
MINNEAPOLIS, MN 55435

Corporate Headquarters:  
Minneapolis, Minnesota  
Ph: 1-800-632-2277  
Fax: (952) 832-2601  
www.barr.com

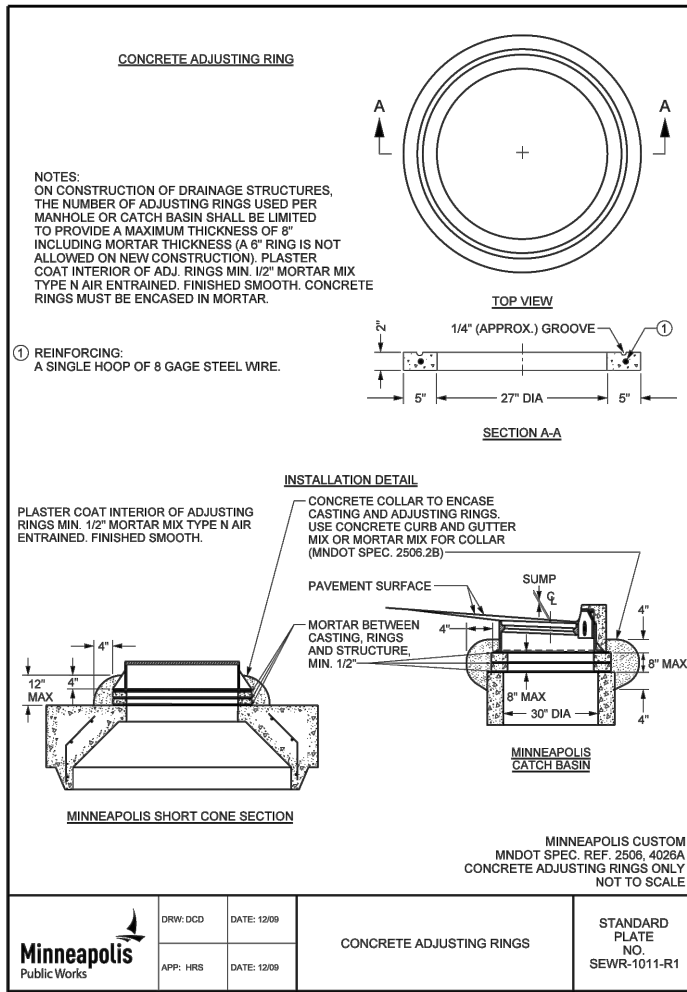
Scale	AS SHOWN
Date	12/17/2021
Drawn	JMD3
Checked	JPP
Designed	BARR
Approved	MAK

BASSETT CREEK WMC  
MINNEAPOLIS, MN

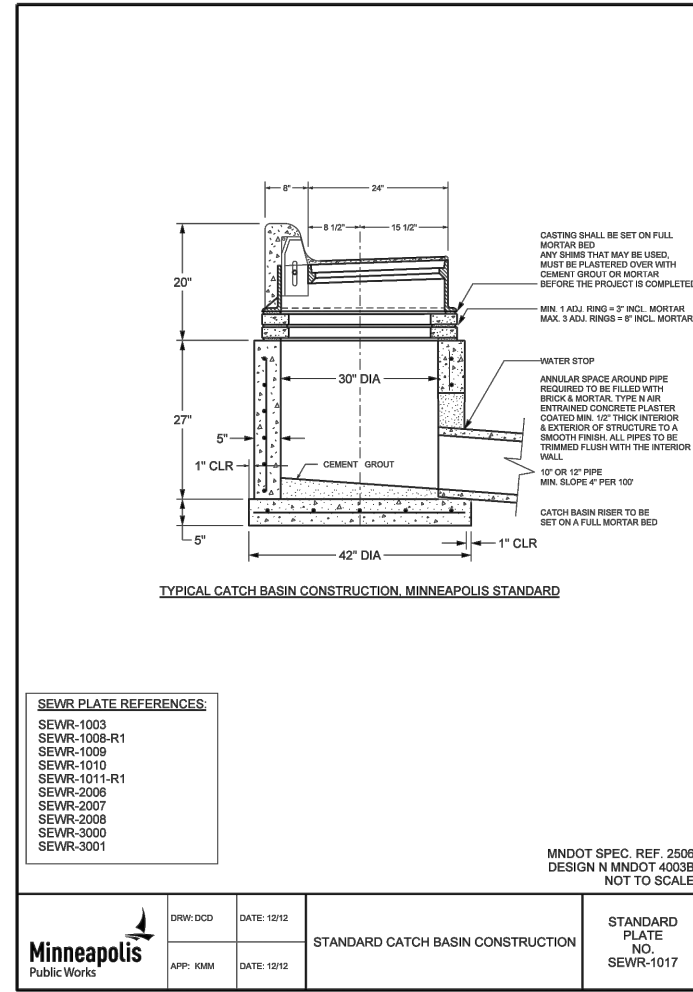
BRYN MAWR MEADOWS WQ IMPROVEMENTS  
MINNEAPOLIS, MN  
STORMWATER STRUCTURE  
DETAILS

BARR PROJECT No. 23/27-1887.00	
CLIENT PROJECT No.	
DWG. No. C4.2	REV. No. B

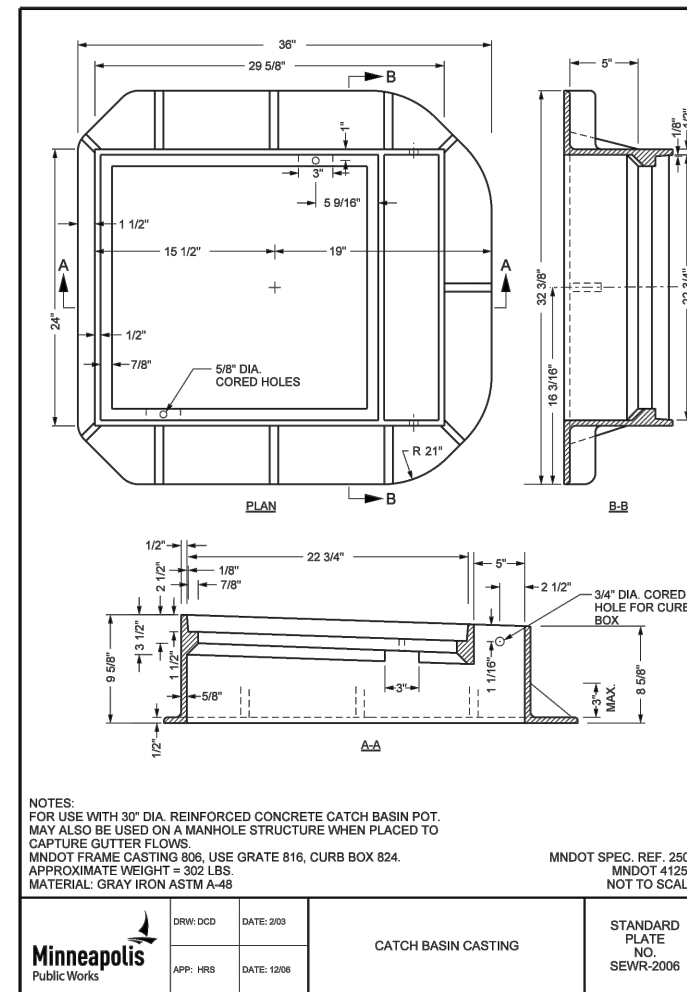
PRELIMINARY DRAFT  
NOT FOR CONSTRUCTION



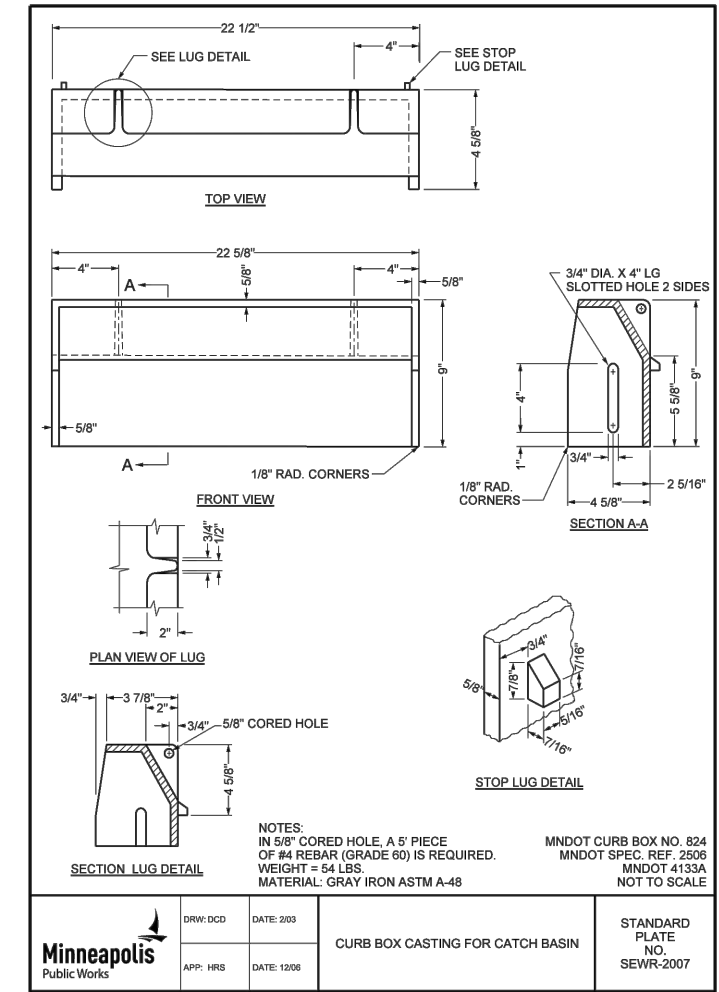
1 - DETAIL: MINNEAPOLIS PLATE NO. SEWR-1011-R1  
NOT TO SCALE



2 - DETAIL: MINNEAPOLIS PLATE NO. SEWR-1017  
NOT TO SCALE



3 - DETAIL: MINNEAPOLIS PLATE NO. SEWR-2006  
NOT TO SCALE



4 - DETAIL: MINNEAPOLIS PLATE NO. SEWR-2007  
NOT TO SCALE

CADD USER: Jacob M. Daire FILE: M:\DESIGN\23271987\00\2327198700\_C4\_X\_STORM DETAILS DWG PLOT SCALE: 1:2 PLOT DATE: 17/2022 3:28 PM  
BARR - AutoCAD 2011 Support\enu\Template\Barr\_2011\_Template.dwt Plot at 1: 10/05/2010 14:09:50

NO.	BY	CHK.	APP.	DATE	REVISION DESCRIPTION
B	JMD3	JPP	MAK	01/12/2022	ISSUED FOR 50% BCWMC
A	JMD3	JPP	MAK	12/17/2021	ISSUED FOR 30% REVIEW

I HEREBY CERTIFY THAT THIS PLAN, SPECIFICATION, OR REPORT WAS PREPARED BY ME OR UNDER MY DIRECT SUPERVISION AND THAT I AM A DULY LICENSED PROFESSIONAL ENGINEER UNDER THE LAWS OF THE STATE OF MINNESOTA.

PRINTED NAME: JOSHUA P. PHILLIPS

SIGNATURE: \_\_\_\_\_

DATE: \_\_\_\_\_ LICENSE # 58685

CLIENT	BID	01/12/22							
CONSTRUCTION	CITY REVIEW								
RELEASED TO/FOR	A	B	C	D	0	1	2		
DATE RELEASED									

**BARR** Project Office:  
BARR ENGINEERING CO.  
4300 MARKETPOINTE DRIVE  
Suite 200  
MINNEAPOLIS, MN 55435

Corporate Headquarters:  
Minneapolis, Minnesota  
Ph: 1-800-632-2277  
Ph: 1-800-632-2277

Scale	AS SHOWN
Date	12/17/2021
Drawn	JMD3
Checked	JPP
Designed	BARR
Approved	MAK

**BASSETT CREEK WMC**  
MINNEAPOLIS, MN

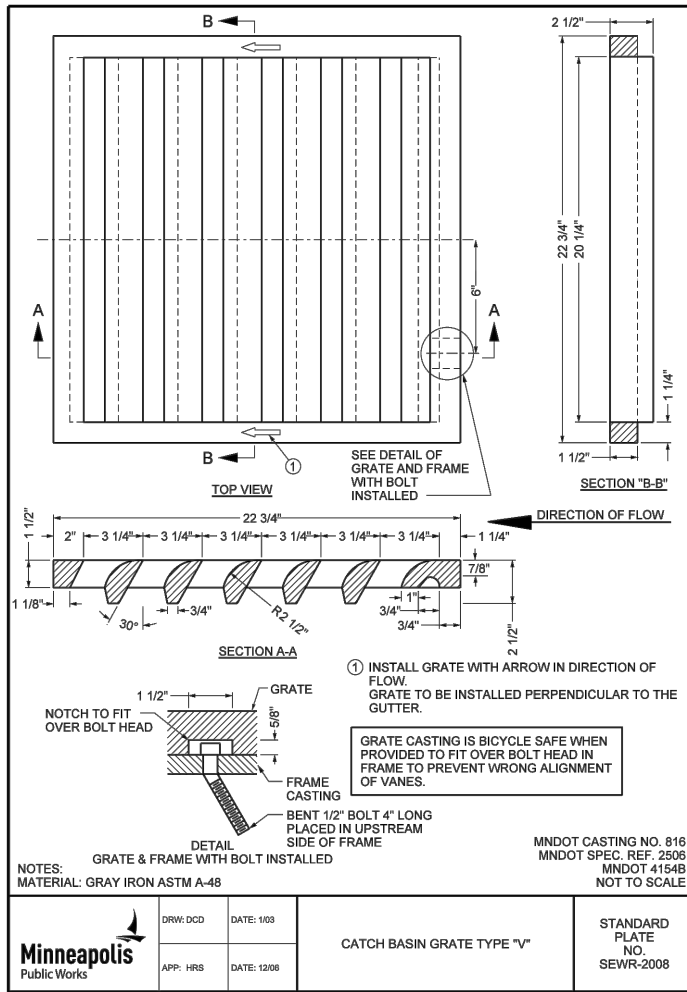
**BRYN MAWR MEADOWS WQ IMPROVEMENTS**  
MINNEAPOLIS, MN

**STORMWATER STRUCTURE DETAILS**

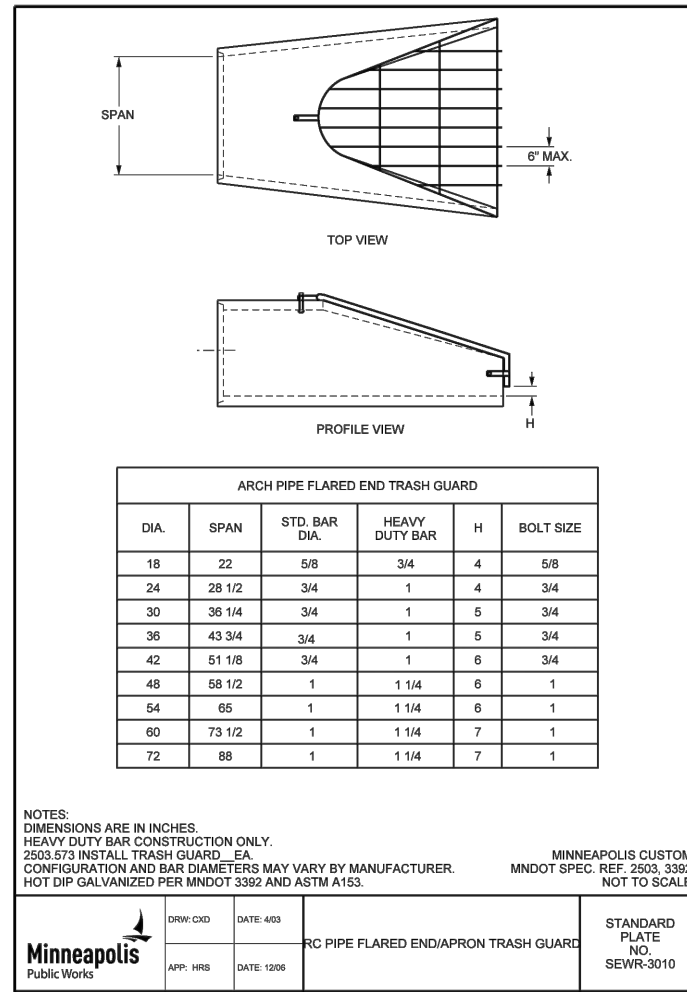
BARR PROJECT No.	23/27-1887.00
CLIENT PROJECT No.	
DWG. No.	C4.3
REV. No.	B

PRELIMINARY DRAFT  
NOT FOR CONSTRUCTION

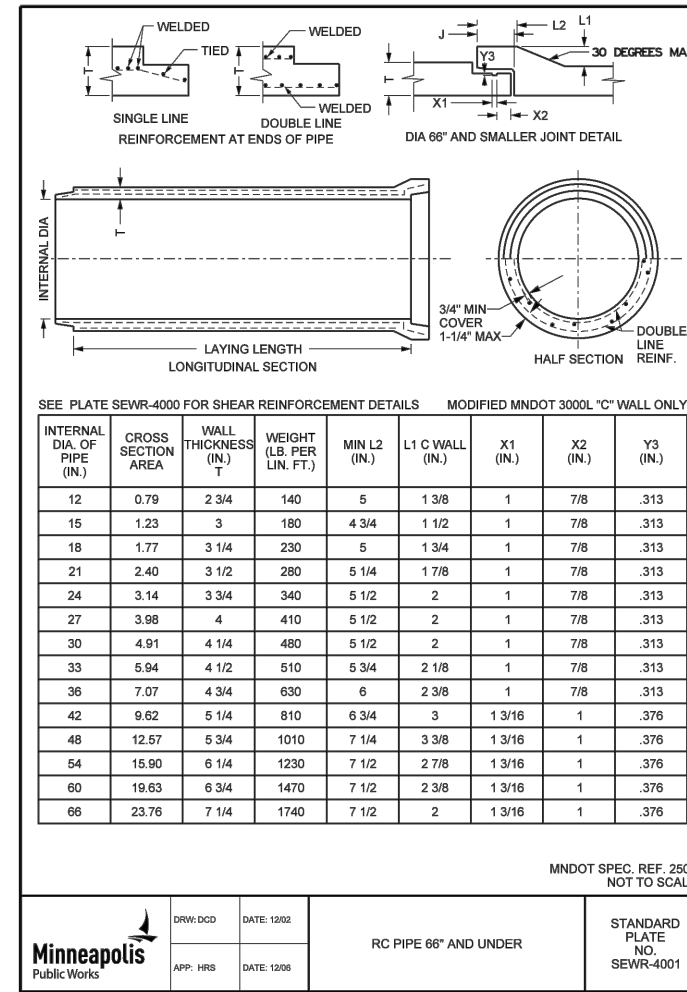




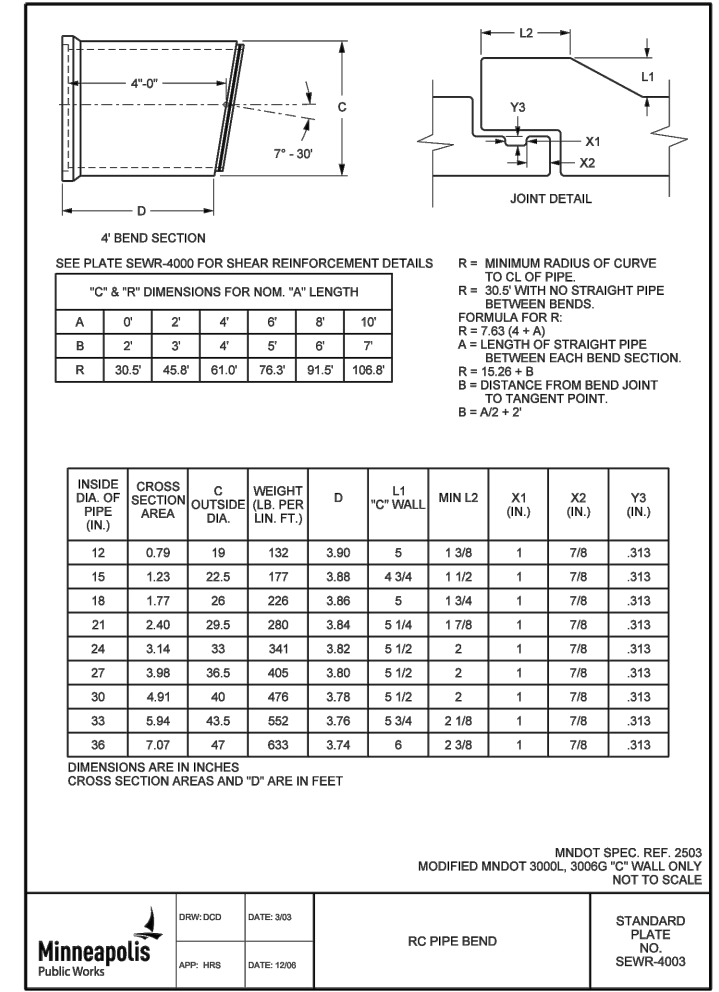
1 - DETAIL: MINNEAPOLIS PLATE NO. SEWR-2008  
NOT TO SCALE



2 - DETAIL: MINNEAPOLIS PLATE NO. SEWR-3010  
NOT TO SCALE



3 - DETAIL: MINNEAPOLIS PLATE NO. SEWR-4001  
NOT TO SCALE



4 - DETAIL: MINNEAPOLIS PLATE NO. SEWR-4003  
NOT TO SCALE

CADD USER: Jacob M. Daire FILE: M:\DESIGN\23271987\00\2327198700\_C4\_X\_STORM DETAILS DWG PLOT SCALE: 1:2 PLOT DATE: 17/2022 3:27 PM  
BAR: M:\AutoCAD 2011\AutoCAD 2011\Support\enu\Template\Bar\_2011\_Template.dwt Plot at 1: 10/05/2010 14:09:50

NO.	BY	CHK.	APP.	DATE	REVISION DESCRIPTION
B	JMD3	JPP	MAK	01/12/2022	ISSUED FOR 50% BCWMC
A	JMD3	JPP	MAK	12/17/2021	ISSUED FOR 30% REVIEW

I HEREBY CERTIFY THAT THIS PLAN, SPECIFICATION, OR REPORT WAS PREPARED BY ME OR UNDER MY DIRECT SUPERVISION AND THAT I AM A DULY LICENSED PROFESSIONAL ENGINEER UNDER THE LAWS OF THE STATE OF MINNESOTA.

PRINTED NAME: JOSHUA P. PHILLIPS  
SIGNATURE: \_\_\_\_\_  
DATE: \_\_\_\_\_ LICENSE # 58685

CLIENT	BID	CONSTRUCTION	CITY REVIEW	RELEASED TO/FOR	DATE RELEASED
01/12/22				A B C D 0 1 2	

Project Office:  
BARR ENGINEERING CO.  
4300 MARKETPOINTE DRIVE  
Suite 200  
MINNEAPOLIS, MN 55435

Corporate Headquarters:  
Minneapolis, Minnesota  
Ph: 1-800-632-2277  
Ph: 1-800-632-2277

Scale	AS SHOWN
Date	12/17/2021
Drawn	JMD3
Checked	JPP
Designed	BARR
Approved	MAK

BASSETT CREEK WMC  
MINNEAPOLIS, MN

BRYN MAWR MEADOWS WQ IMPROVEMENTS  
MINNEAPOLIS, MN

STORMWATER STRUCTURE  
DETAILS

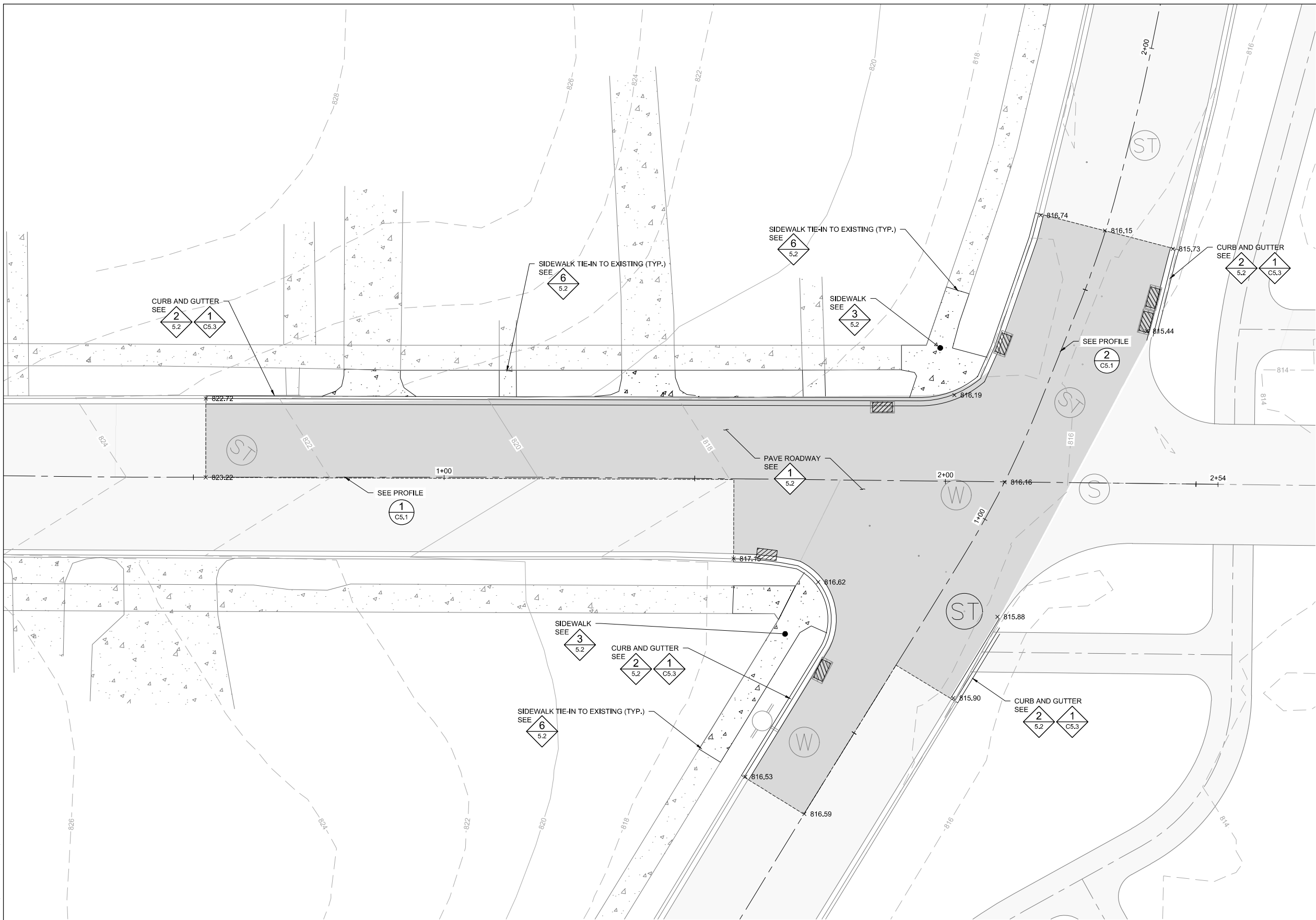
BARR PROJECT No.  
23/27-1887.00

CLIENT PROJECT No.

DWG. No. C4.4  
REV. No. B

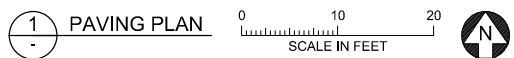
PRELIMINARY DRAFT  
NOT FOR CONSTRUCTION

CADD USER: Jacob M. Daire FILE: M:\DESIGN\23271887\00\23271887\00\_CS\_X\_PAVING1 PLAN AND PROFILES.DWG PLOT SCALE: 1:2 PLOT DATE: 1/12/2022 11:25 AM  
 BARR M:\AutoCAD 2011\AutoCAD 2011\Support\new\Template\Barr\_2011\_Template.dwt Plot at 1: 10/05/2010 14:09:50



**LEGEND**

EXISTING	MAJOR CONTOUR	PROPOSED
800	798	800
798	MINOR CONTOUR	799
BUILDING	BUILDING	BUILDING
CATV	CABLE TV	CATV
DT	DRAIN TILE	DT
OE	ELECTRIC (OVERHEAD)	OE
X	FENCE	X
GAS	GAS	GAS
SANITARY SEWER	SANITARY SEWER	SANITARY SEWER
SANITARY MANHOLE	SANITARY MANHOLE	SANITARY MANHOLE
SIGN	SIGN	SIGN
STORM SEWER	STORM SEWER	STORM SEWER
STORM MANHOLE	STORM MANHOLE	STORM MANHOLE
STORM CATCH BASIN	STORM CATCH BASIN	STORM CATCH BASIN
TELEPHONE	TELEPHONE	TELEPHONE
TREE	TREE	TREE
TREELINE	TREELINE	TREELINE
W	WATER MAIN	W
GATE VALVE	GATE VALVE	GATE VALVE
HYDRANT	HYDRANT	HYDRANT
PAVEMENT - BITUMINOUS	PAVEMENT - BITUMINOUS	PAVEMENT - BITUMINOUS
PAVEMENT - CONCRETE	PAVEMENT - CONCRETE	PAVEMENT - CONCRETE
RIPRAP	RIPRAP	RIPRAP
GRAVEL SURFACE	GRAVEL SURFACE	GRAVEL SURFACE
BENCH	BENCH	BENCH
RAIL	RAIL	RAIL
SURVEY CONTROL POINT	SURVEY CONTROL POINT	SURVEY CONTROL POINT
SITE BENCHMARK	SITE BENCHMARK	SITE BENCHMARK
SAMPLE LOCATIONS	SAMPLE LOCATIONS	SAMPLE LOCATIONS
CONSTRUCTION LIMITS	CONSTRUCTION LIMITS	CONSTRUCTION LIMITS
REMOVALS	REMOVALS	REMOVALS
CONSTRUCTION ENTRANCE	CONSTRUCTION ENTRANCE	CONSTRUCTION ENTRANCE
EROSION CONTROL BLANKET	EROSION CONTROL BLANKET	EROSION CONTROL BLANKET
INLET PROTECTION	INLET PROTECTION	INLET PROTECTION
SILT FENCE	SILT FENCE	SILT FENCE
SEDIMENT CONTROL LOG	SEDIMENT CONTROL LOG	SEDIMENT CONTROL LOG
REMOVAL - TREE	REMOVAL - TREE	REMOVAL - TREE
REMOVAL - PAVEMENT	REMOVAL - PAVEMENT	REMOVAL - PAVEMENT
RETAINING WALL	RETAINING WALL	RETAINING WALL
SEEDING - TURF GRASS	SEEDING - TURF GRASS	SEEDING - TURF GRASS



1 PAVING PLAN

PRELIMINARY DRAFT  
 NOT FOR CONSTRUCTION

NO.	BY	CHK.	APP.	DATE	REVISION DESCRIPTION
B	JMD3	JPP	MAK	01/12/2022	ISSUED FOR 50% BCWMC
A	JMD3	JPP	MAK	12/17/2021	ISSUED FOR 30% REVIEW

I HEREBY CERTIFY THAT THIS PLAN, SPECIFICATION, OR REPORT WAS PREPARED BY ME OR UNDER MY DIRECT SUPERVISION AND THAT I AM A DULY LICENSED PROFESSIONAL ENGINEER UNDER THE LAWS OF THE STATE OF MINNESOTA.

PRINTED NAME: JOSHUA P. PHILLIPS  
 SIGNATURE: \_\_\_\_\_  
 DATE: \_\_\_\_\_ LICENSE # 58685

CLIENT	BID	CONSTRUCTION CITY REVIEW	RELEASED TO/FOR	DATE RELEASED
BARR ENGINEERING CO.	01/12/22		A B C D 0 1 2	

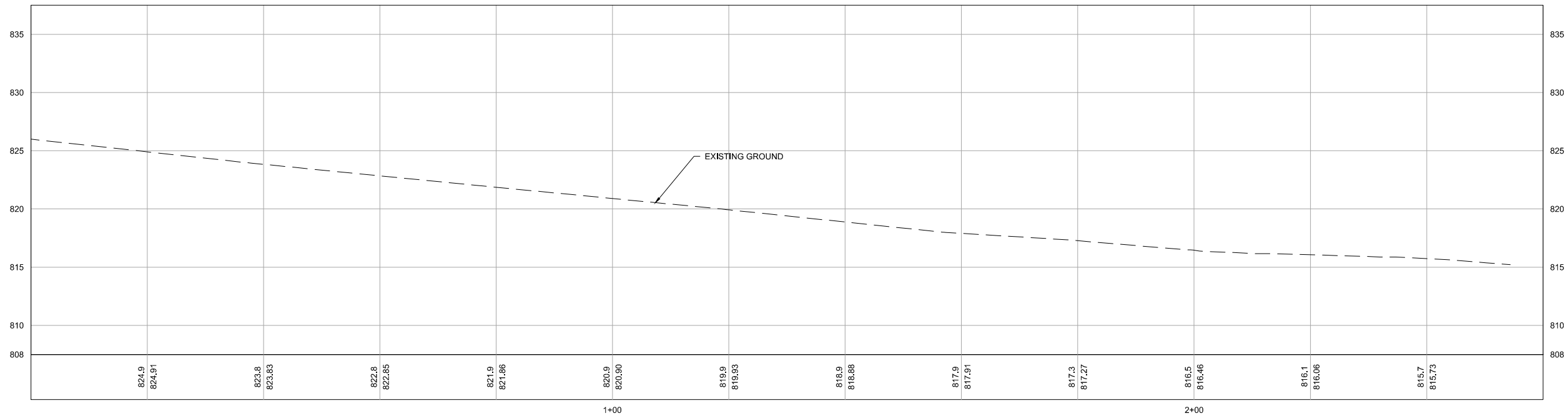
**BARR**  
 Project Office:  
 BARR ENGINEERING CO.  
 4300 MARKETPOINTE DRIVE  
 Suite 200  
 MINNEAPOLIS, MN 55435  
 Corporate Headquarters:  
 Minneapolis, Minnesota  
 Ph: 1-800-632-2277  
 Fax: (952) 832-2601  
 www.barr.com

Scale	AS SHOWN
Date	12/17/2021
Drawn	JMD3
Checked	JPP
Designed	BARR
Approved	MAK

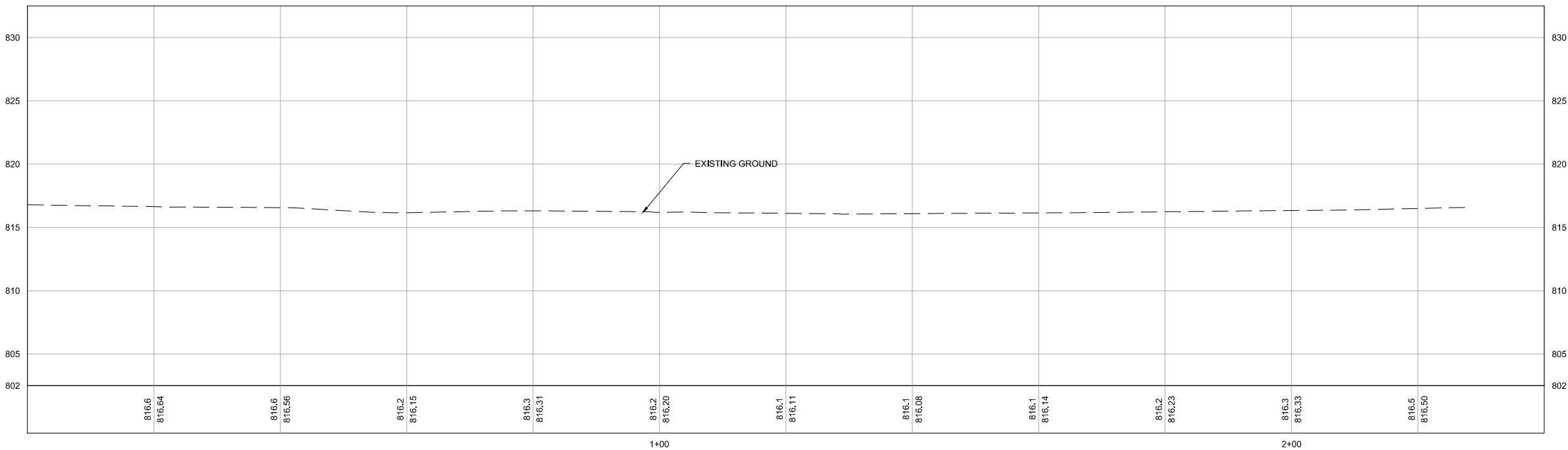
BASSETT CREEK WMC  
 MINNEAPOLIS, MN

BRYN MAWR MEADOWS WQ IMPROVEMENTS  
 MINNEAPOLIS, MN  
 ROAD AND PAVING  
 PLAN

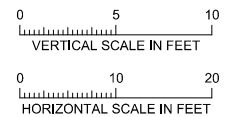
BARR PROJECT No.	CLIENT PROJECT No.
23/27-1887.00	
DWG. No.	REV. No.
C5.0	B



1 PROFILE: LAUREL AVE  
C5.0



2 PROFILE: MORGAN AVE  
C5.0



PRELIMINARY DRAFT  
NOT FOR CONSTRUCTION

NO.	BY	CHK.	APP.	DATE	REVISION DESCRIPTION
B	JMD3	JPP	MAK	01/12/2022	ISSUED FOR 50% BCWMC
A	JMD3	JPP	MAK	12/17/2021	ISSUED FOR 30% REVIEW

I HEREBY CERTIFY THAT THIS PLAN, SPECIFICATION, OR REPORT WAS PREPARED BY ME OR UNDER MY DIRECT SUPERVISION AND THAT I AM A DULY LICENSED PROFESSIONAL ENGINEER UNDER THE LAWS OF THE STATE OF MINNESOTA.

PRINTED NAME: JOSHUA P. PHILLIPS  
SIGNATURE: \_\_\_\_\_  
DATE: \_\_\_\_\_ LICENSE # 58685

CLIENT	BID	CONSTRUCTION	CITY REVIEW	RELEASED TO/FOR	DATE RELEASED
01/12/22				A B C D 0 1 2	

**BARR** ENGINEERING CO.  
4300 MARKETPOINTE DRIVE  
Suite 200  
MINNEAPOLIS, MN 55435

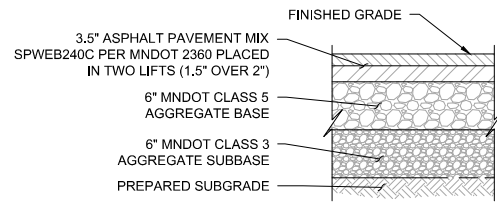
Corporate Headquarters:  
Minneapolis, Minnesota  
Ph: 1-800-632-2277

Project Office:  
BARR ENGINEERING CO.  
4300 MARKETPOINTE DRIVE  
Suite 200  
MINNEAPOLIS, MN 55435  
Ph: 1-800-632-2277  
Fax: (952) 832-2601  
www.barr.com

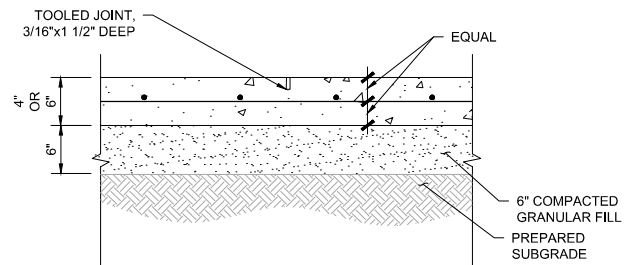
Scale	AS SHOWN
Date	12/17/2021
Drawn	JMD3
Checked	JPP
Designed	BARR
Approved	MAK

BASSETT CREEK WMC  
MINNEAPOLIS, MN

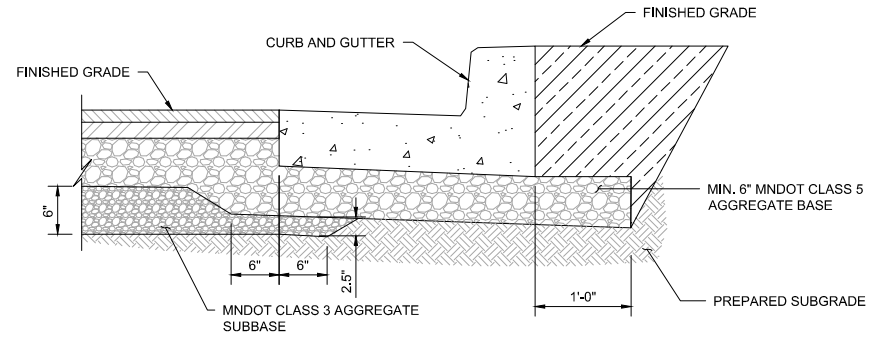
BRYN MAWR MEADOWS WQ IMPROVEMENTS MINNEAPOLIS, MN		BARR PROJECT No. 23/27-1887.00
ROAD AND PAVING PROFILES		CLIENT PROJECT No.
DWG. No. C5.1	REV. No. B	



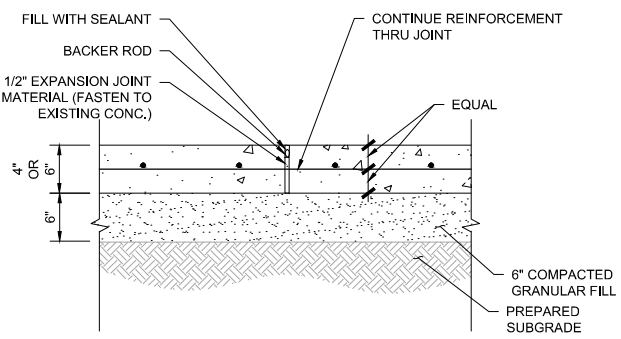
**1** **DETAIL: TYPICAL PAVEMENT SECTION**  
 1"=1'-0"  
 0 1 2  
 SCALE



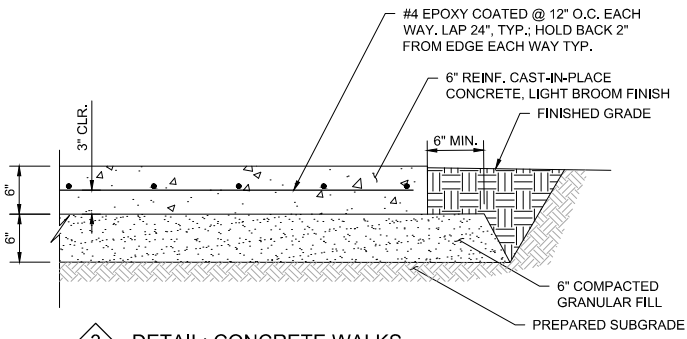
**4** **DETAIL: CONTROL JOINT**  
 NOT TO SCALE



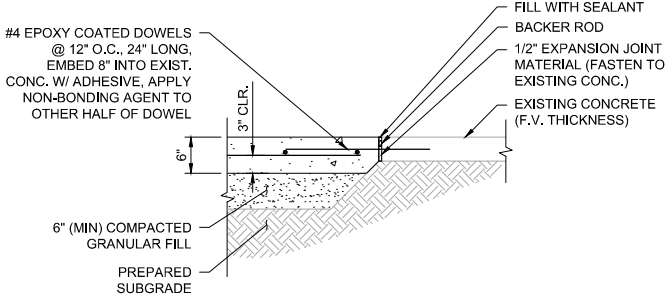
**2** **DETAIL: AGGREGATE BASES AT CURB AND GUTTER**  
 NOT TO SCALE



**5** **DETAIL: CONSTRUCTION JOINT**  
 NOT TO SCALE



**3** **DETAIL: CONCRETE WALKS**  
 1"=1'-0"  
 0 1 2  
 SCALE



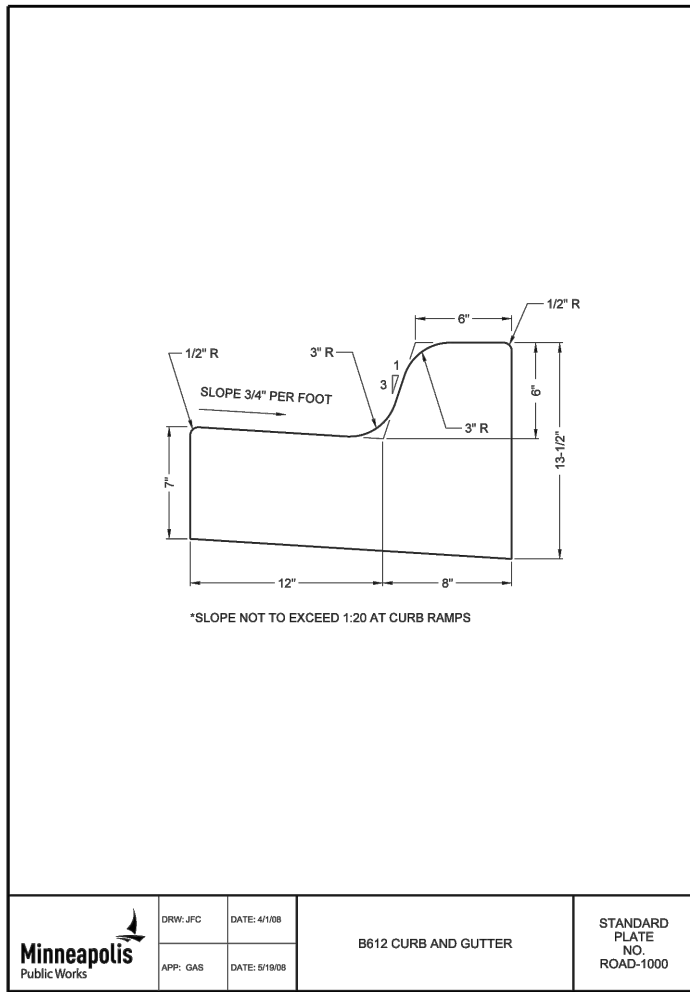
**6** **DETAIL: CONCRETE WALK TIE-IN TO EXISTING WALK**  
 3/4"=1'-0"  
 0 1 2 3  
 SCALE

CADD USER: Jacob M. Daire FILE: M:\DESIGN\23271887\00\23271887\00\_CS\_X\_PAVING\DETAILS.DWG PLOT SCALE: 1:2 PLOT DATE: 1/7/2022 3:24 PM  
 BARR M:\AutoCAD 2011\AutoCAD 2011 Support\enu\Template\Bar\_2011\_Template.dwt Plot at 1 10/05/2010 14:09:50

PRELIMINARY DRAFT  
 NOT FOR CONSTRUCTION

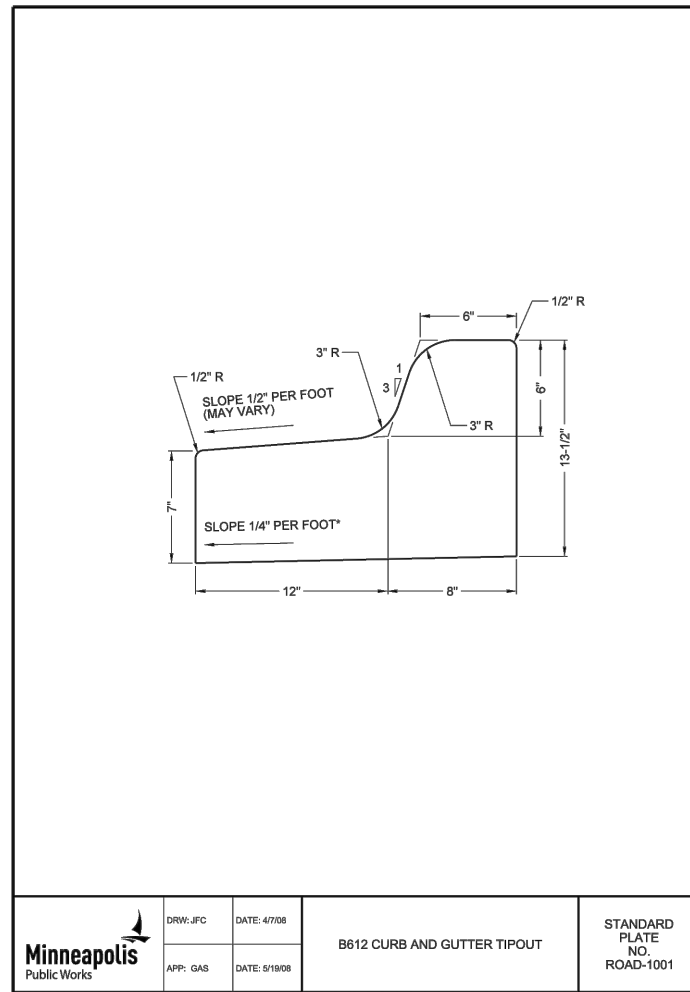
				I HEREBY CERTIFY THAT THIS PLAN, SPECIFICATION, OR REPORT WAS PREPARED BY ME OR UNDER MY DIRECT SUPERVISION AND THAT I AM A DULY LICENSED PROFESSIONAL ENGINEER UNDER THE LAWS OF THE STATE OF MINNESOTA.				CLIENT BID CONSTRUCTION CITY REVIEW				Project Office: BARR ENGINEERING CO. 4300 MARKETPOINTE DRIVE Suite 200 MINNEAPOLIS, MN 55435 Corporate Headquarters: Minneapolis, Minnesota Ph: 1-800-632-2277 Fax: (952) 832-2601 www.barr.com				Scale AS SHOWN		Date 12/17/2021		Drawn JMD3		Checked JPP		Designed BARR		Approved MAK		BARR PROJECT No. 23/27-1887.00	
B JMD3 JPP MAK 01/12/2022 ISSUED FOR 50% BCWMC A JMD3 JPP MAK 12/17/2021 ISSUED FOR 30% REVIEW				PRINTED NAME: JOSHUA P. PHILLIPS SIGNATURE: _____ DATE: _____ LICENSE # 58685				RELEASED TO/FOR: A B C D O 1 2 DATE RELEASED:				BASSETT CREEK WMC MINNEAPOLIS, MN				BRYN MAWR MEADOWS WQ IMPROVEMENTS MINNEAPOLIS, MN ROAD AND PAVING DETAILS				CLIENT PROJECT No. DWG. No. C5.2 REV. No. B									





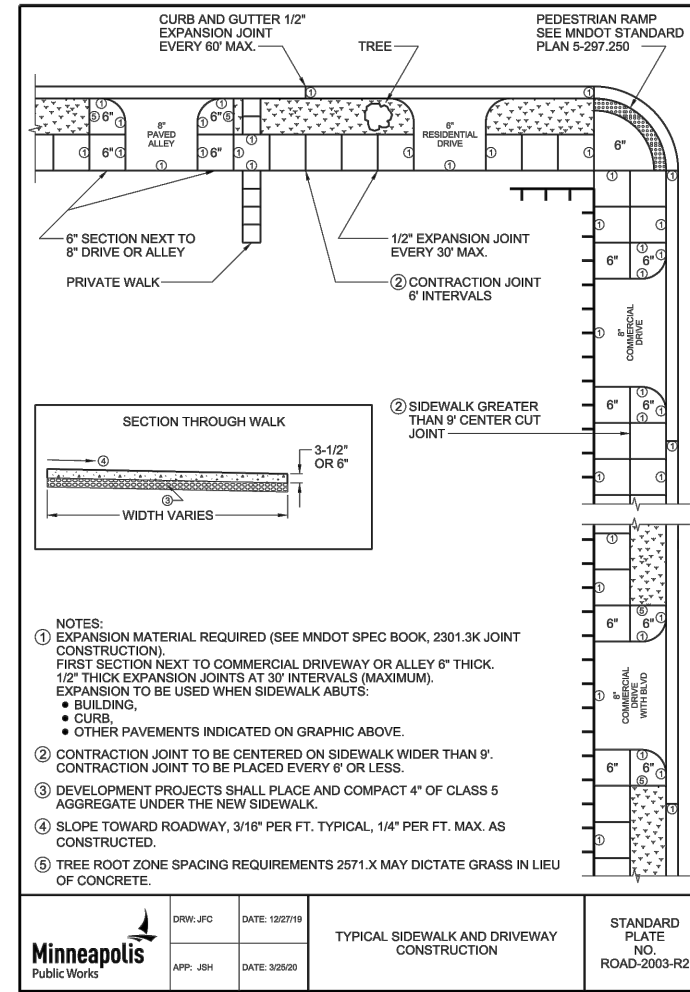
Minneapolis Public Works	DRW: JFC	DATE: 4/1/08	B612 CURB AND GUTTER	STANDARD PLATE NO. ROAD-1000
	APP: GAS	DATE: 5/19/08		

1 - DETAIL: MINNEAPOLIS PLATE NO. ROAD-1000  
NOT TO SCALE



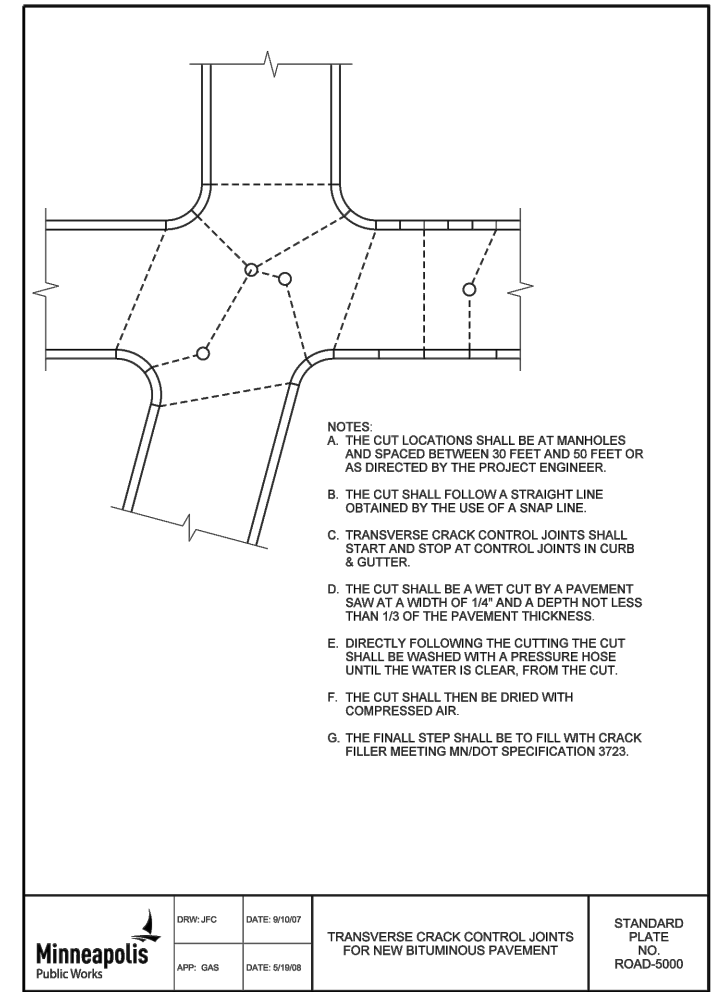
Minneapolis Public Works	DRW: JFC	DATE: 4/7/08	B612 CURB AND GUTTER TIPOUT	STANDARD PLATE NO. ROAD-1001
	APP: GAS	DATE: 5/19/08		

2 - DETAIL: MINNEAPOLIS PLATE NO. ROAD-1001  
NOT TO SCALE



Minneapolis Public Works	DRW: JFC	DATE: 12/27/19	TYPICAL SIDEWALK AND DRIVEWAY CONSTRUCTION	STANDARD PLATE NO. ROAD-2003-R2
	APP: JSH	DATE: 3/25/20		

3 - DETAIL: MINNEAPOLIS PLATE NO. ROAD-2003-R2  
NOT TO SCALE



Minneapolis Public Works	DRW: JFC	DATE: 9/10/07	TRANSVERSE CRACK CONTROL JOINTS FOR NEW BITUMINOUS PAVEMENT	STANDARD PLATE NO. ROAD-5000
	APP: GAS	DATE: 5/19/08		

4 - DETAIL: MINNEAPOLIS PLATE NO. ROAD-5000  
NOT TO SCALE

CADD USER: Jacob M. Daire FILE: M:\DESIGN\2371987\00\237198700\_CS\_X\_PAVING\DETAILS.DWG PLOT SCALE: 1:2 PLOT DATE: 1/7/2022 3:29 PM  
BARR - AutoCAD 2011 Support\enu\Template\Barr\_2011\_Template.dwt Plot at 1: 10/05/2010 14:09:50

NO.	BY	CHK.	APP.	DATE	REVISION DESCRIPTION
B	JMD3	JPP	MAK	01/12/2022	ISSUED FOR 50% BCWMC
A	JMD3	JPP	MAK	12/17/2021	ISSUED FOR 30% REVIEW

I HEREBY CERTIFY THAT THIS PLAN, SPECIFICATION, OR REPORT WAS PREPARED BY ME OR UNDER MY DIRECT SUPERVISION AND THAT I AM A DULY LICENSED PROFESSIONAL ENGINEER UNDER THE LAWS OF THE STATE OF MINNESOTA.

PRINTED NAME: JOSHUA P. PHILLIPS  
SIGNATURE: \_\_\_\_\_  
DATE: \_\_\_\_\_ LICENSE # 58685

CLIENT	BID	01/12/22							
CONSTRUCTION									
CITY REVIEW									
RELEASED TO/FOR	A	B	C	D	0	1	2		
DATE RELEASED									

**BARR**  
Corporate Headquarters:  
Minneapolis, Minnesota  
Ph: 1-800-632-2277

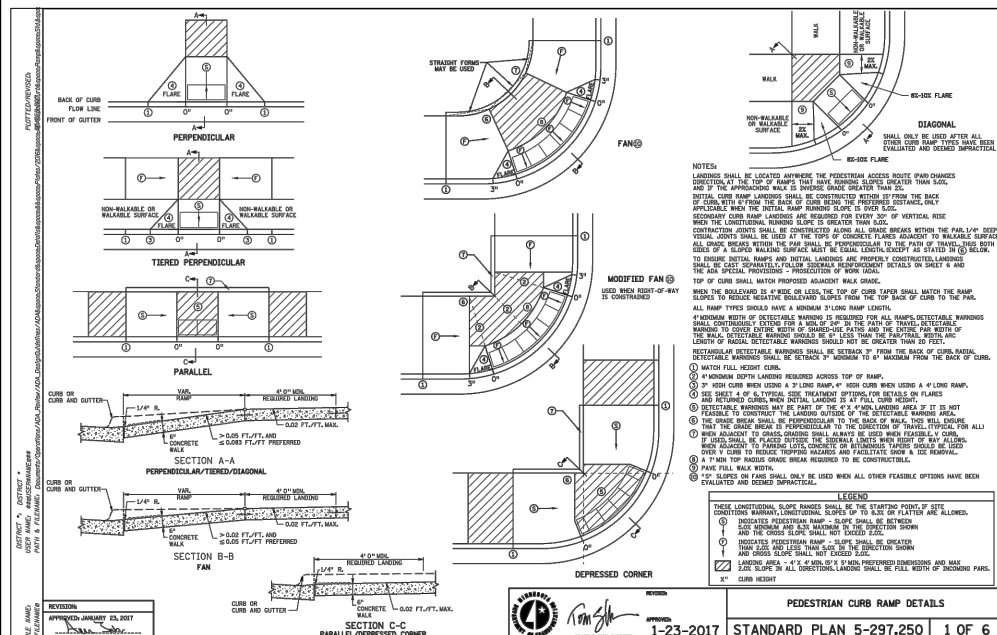
Project Office:  
BARR ENGINEERING CO.  
4300 MARKETPOINTE DRIVE  
Suite 200  
MINNEAPOLIS, MN 55435  
Ph: 1-800-632-2277  
Fax: (952) 832-2601  
www.barr.com

Scale	AS SHOWN
Date	12/17/2021
Drawn	JMD3
Checked	JPP
Designed	BARR
Approved	MAK

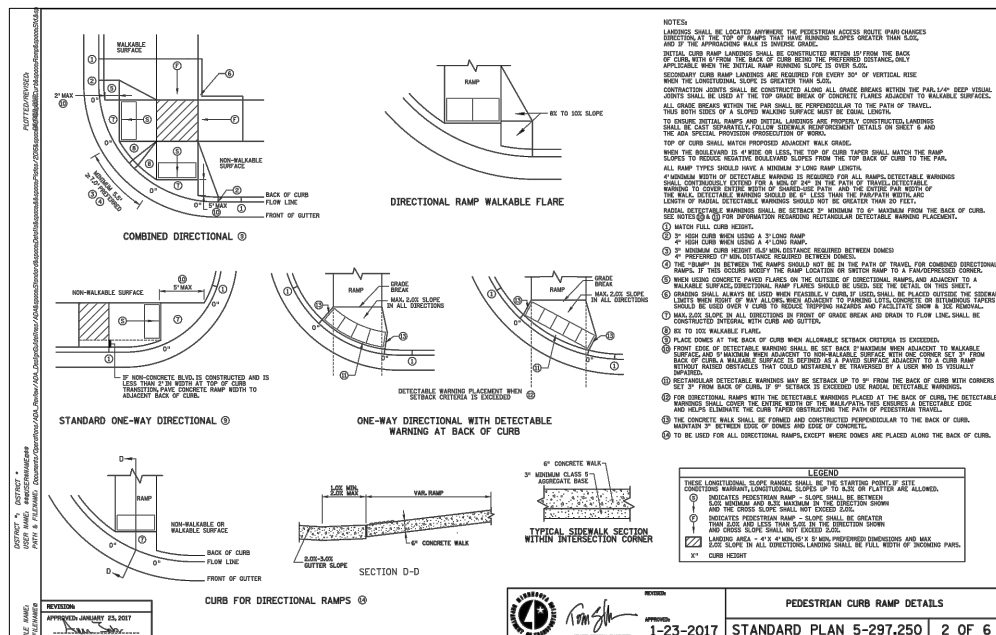
BASSETT CREEK WMC  
MINNEAPOLIS, MN

BRYN MAWR MEADOWS WQ IMPROVEMENTS MINNEAPOLIS, MN		BARR PROJECT No. 23/27-1887.00
ROAD AND PAVING DETAILS		CLIENT PROJECT No.
DWG. No. C5.3	REV. No. B	

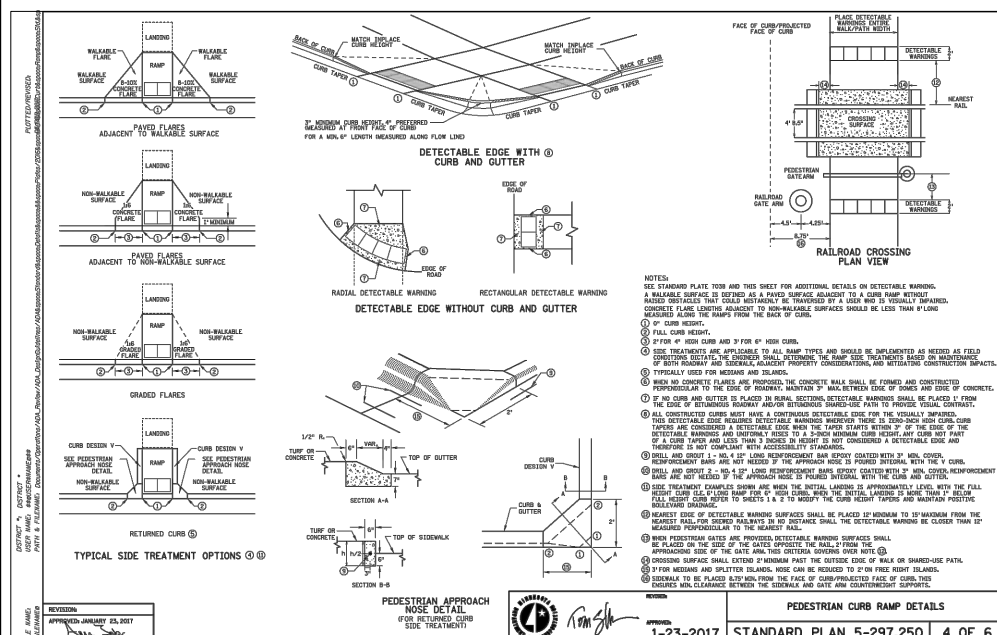
PRELIMINARY DRAFT  
NOT FOR CONSTRUCTION



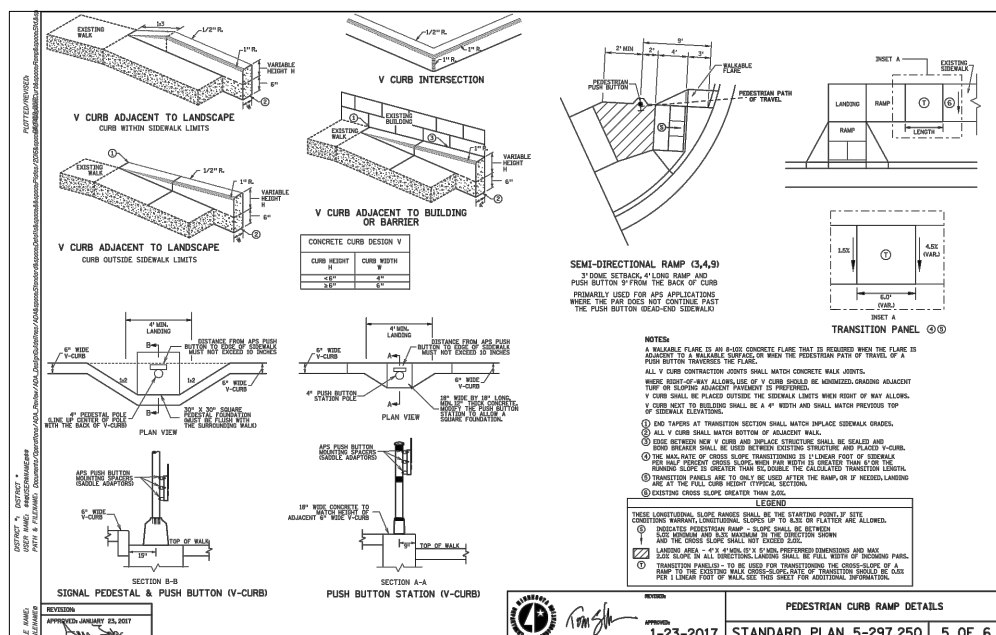
1-23-2017 STANDARD PLAN 5-297.250 1 OF 6



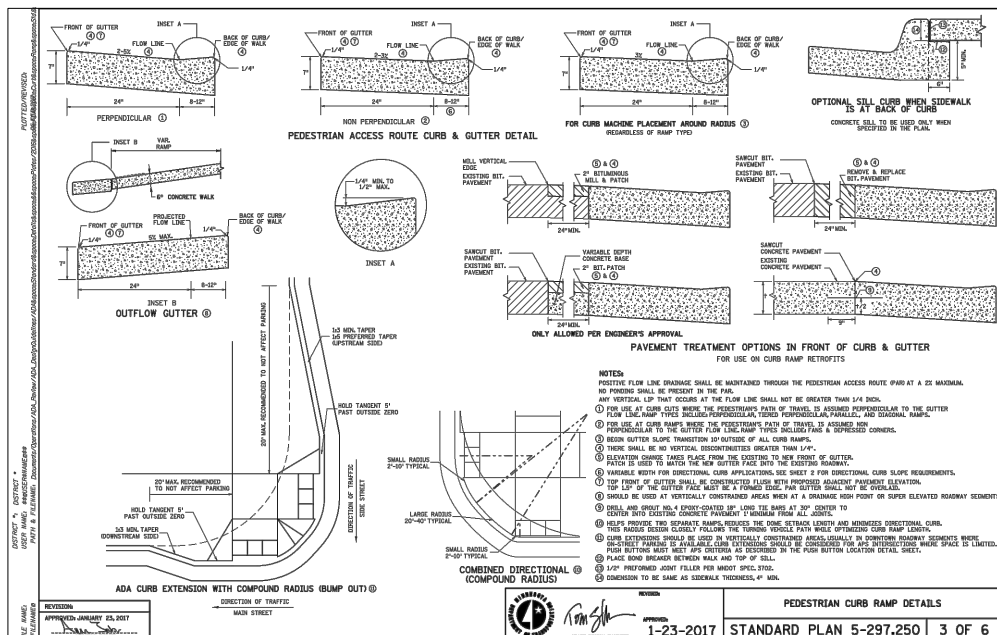
1-23-2017 STANDARD PLAN 5-297.250 2 OF 6



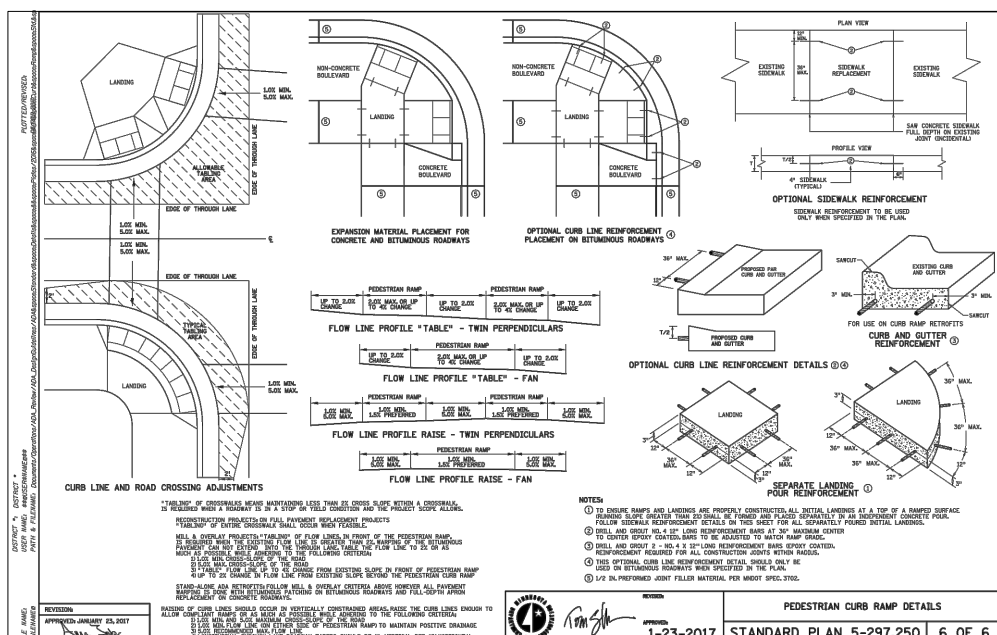
1-23-2017 STANDARD PLAN 5-297.250 4 OF 6



1-23-2017 STANDARD PLAN 5-297.250 5 OF 6



1-23-2017 STANDARD PLAN 5-297.250 3 OF 6



1-23-2017 STANDARD PLAN 5-297.250 6 OF 6

DETAIL: MNDOT STANDARD PLAN 5-297.250 NOT TO SCALE

NO.	BY	CHK.	APP.	DATE	REVISION
B	JMD3	JPP	MAK	01/12/2022	ISSUED FOR 50% BCWMC
A	JMD3	JPP	MAK	12/17/2021	ISSUED FOR 30% REVIEW

I HEREBY CERTIFY THAT THIS PLAN, SPECIFICATION OR REPORT WAS PREPARED BY ME OR UNDER MY DIRECT SUPERVISION AND THAT I AM A DULY LICENSED PROFESSIONAL ENGINEER UNDER THE LAWS OF THE STATE OF MINNESOTA.		CLIENT	01/12/22
PRINTED NAME: JOSHUA P. PHILLIPS	SIGNATURE: _____	CITY REVIEW	
DATE: _____	LICENSE #: 58685	RELEASED TO/FOR	A B C D 0 1 2

	Project Office:	Scale:	AS SHOWN
	BARR ENGINEERING CO. 4300 MARKETPOINTE DRIVE SUITE 200 MINNEAPOLIS, MN 55435	Date:	12/17/2021
Corporate Headquarters: Minneapolis, Minnesota Ph: 1-800-632-2277 Fax: (952) 832-2601 www.barr.com	Drawn:	Checked:	JMD3
	Designed:	Approved:	JPP
			MAK

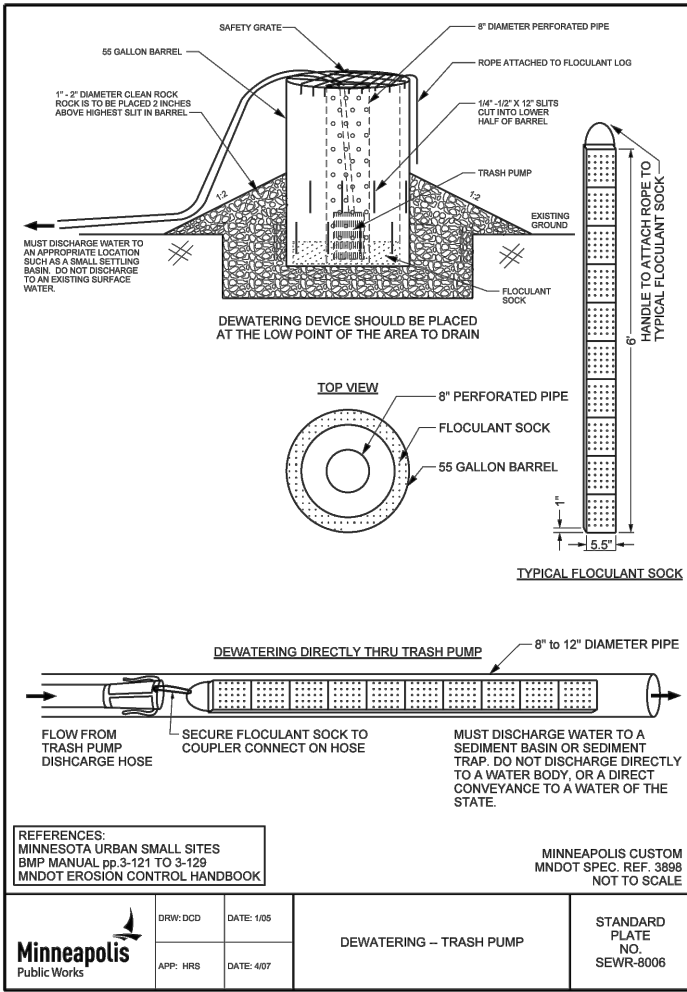
Project Office:		Scale:	AS SHOWN
BARR ENGINEERING CO. 4300 MARKETPOINTE DRIVE SUITE 200 MINNEAPOLIS, MN 55435		Date:	12/17/2021
Corporate Headquarters: Minneapolis, Minnesota Ph: 1-800-632-2277 Fax: (952) 832-2601 www.barr.com		Drawn:	JMD3
		Checked:	JPP
		Approved:	MAK

BRYN MAWR MEADOWS WQ IMPROVEMENTS  
MINNEAPOLIS, MN  
ROAD AND PAVING  
DETAILS

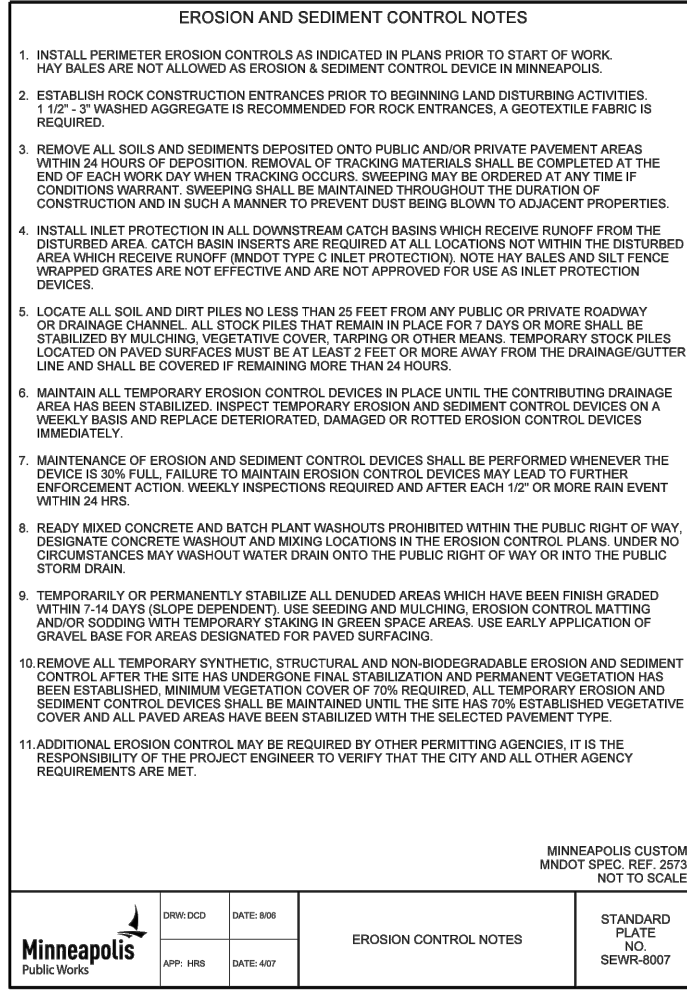
BARR PROJECT No. 23/27-1887.00	
CLIENT PROJECT No.	
DWG. No. C5.4	REV. No. B

PRELIMINARY DRAFT  
NOT FOR CONSTRUCTION

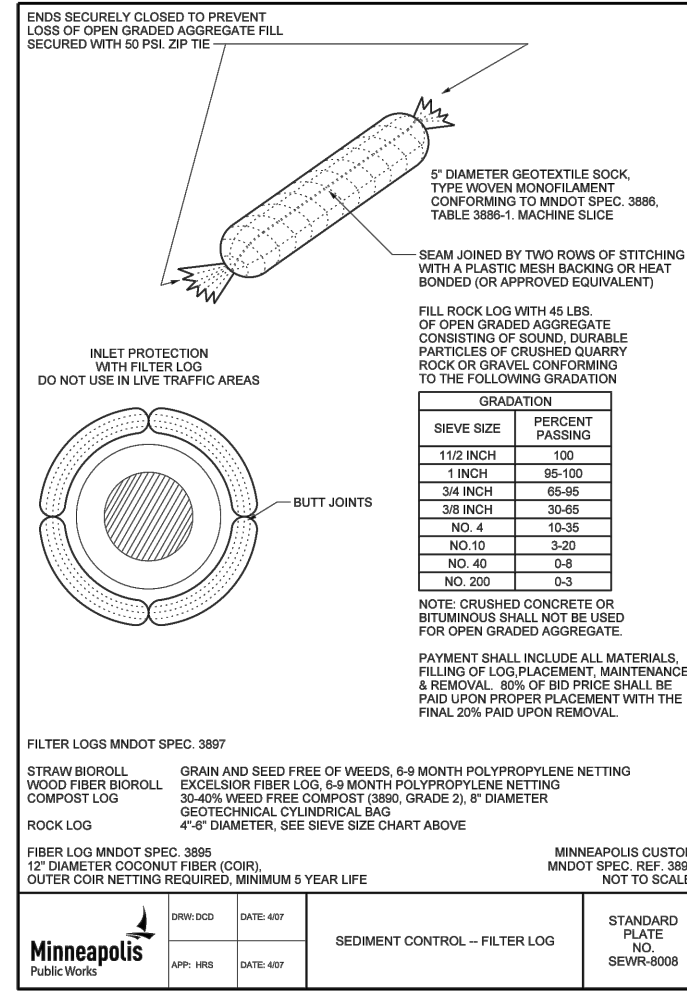




1 - DETAIL: MINNEAPOLIS PLATE NO. SEWR-8006  
NOT TO SCALE



2 - DETAIL: MINNEAPOLIS PLATE NO. SEWR-8007  
NOT TO SCALE



3 - DETAIL: MINNEAPOLIS PLATE NO. SEWR-8008  
NOT TO SCALE

CADD USER: Jacob M. Daire FILE: M:\DESIGN\23271887\00\23271887\00\X\_DETAILS\DWG\_PLOT SCALE: 1:2 PLOT DATE: 1/7/2022 3:21 PM  
BARR - AutoCAD 2011 Support\enu\Template\Barr\_2011\_Template.dwt Plot at 1: 10/05/2010 14:09:50

NO.	BY	CHK.	APP.	DATE	REVISION DESCRIPTION
B	JMD3	JPP	MAK	01/12/2022	ISSUED FOR 50% BCWMC
A	JMD3	JPP	MAK	12/17/2021	ISSUED FOR 30% REVIEW

I HEREBY CERTIFY THAT THIS PLAN, SPECIFICATION, OR REPORT WAS PREPARED BY ME OR UNDER MY DIRECT SUPERVISION AND THAT I AM A DULY LICENSED PROFESSIONAL ENGINEER UNDER THE LAWS OF THE STATE OF MINNESOTA.

PRINTED NAME: JOSHUA P. PHILLIPS  
SIGNATURE: \_\_\_\_\_  
DATE: \_\_\_\_\_ LICENSE # 58685

CLIENT	01/12/22						
BID							
CONSTRUCTION							
CITY REVIEW							
RELEASED TO/FOR	A	B	C	D	0	1	2

Project Office:  
BARR ENGINEERING CO.  
4300 MARKETPOINTE DRIVE  
Suite 200  
MINNEAPOLIS, MN 55435

Corporate Headquarters:  
Minneapolis, Minnesota  
Ph: 1-800-632-2277  
Ph: 1-800-632-2277  
www.barr.com

Scale	AS SHOWN
Date	12/17/2021
Drawn	JMD3
Checked	JPP
Designed	BARR
Approved	MAK

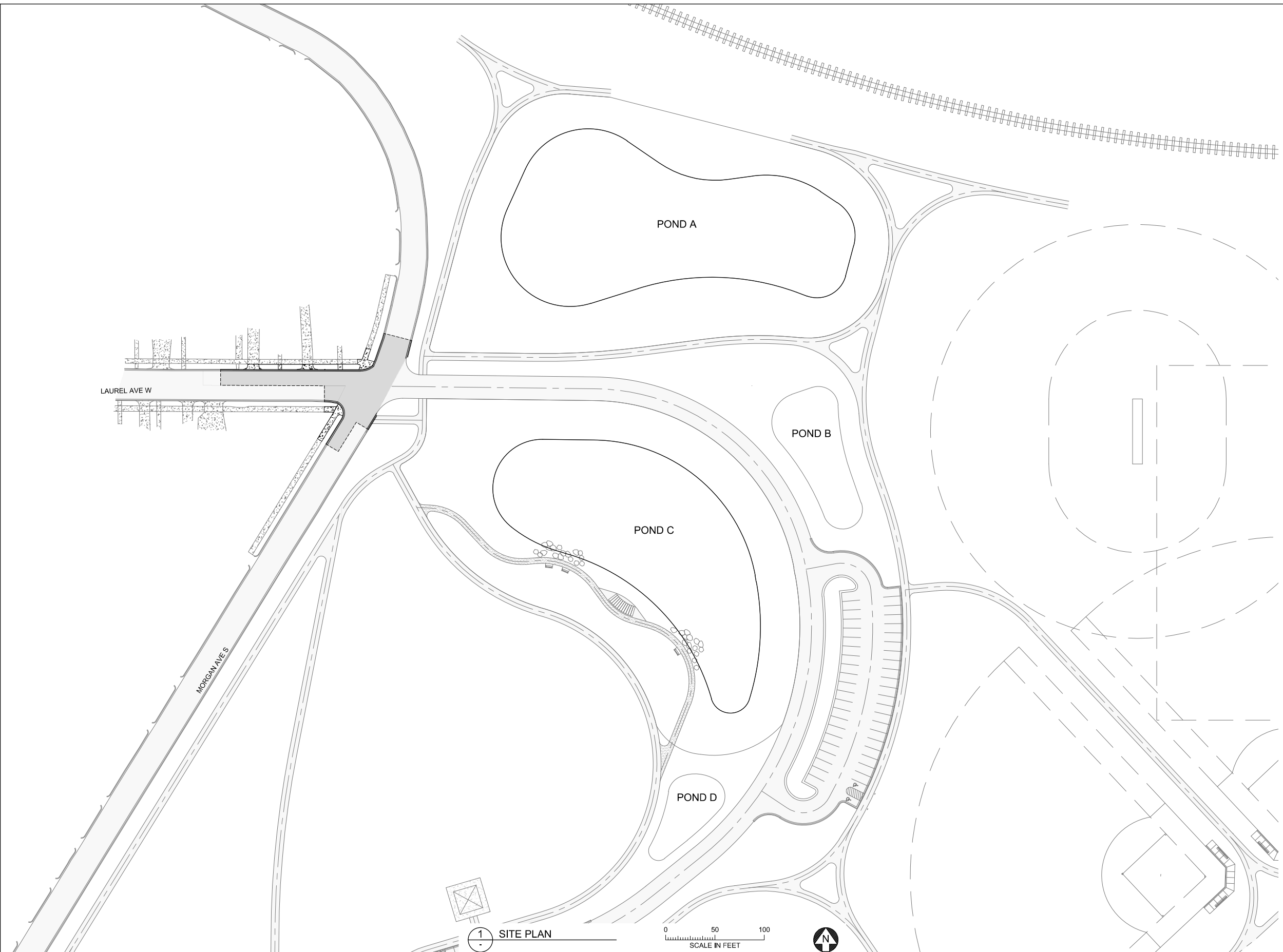
**BASSETT CREEK WMC**  
MINNEAPOLIS, MN

BRYN MAWR MEADOWS WQ IMPROVEMENTS MINNEAPOLIS, MN		BARR PROJECT No. 23/27-1887.00
DETAILS		CLIENT PROJECT No.
DWG. No. C6.1	REV. No. B	

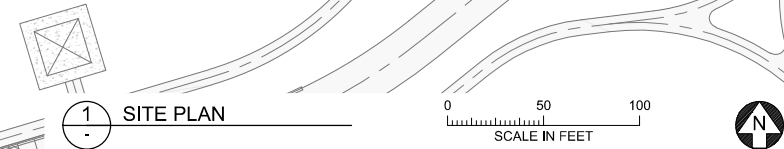
PRELIMINARY DRAFT  
NOT FOR CONSTRUCTION



CADD USER: Jacob M. Daire FILE: M:\DESIGN\23271887\00\23271887\00\_R1\_01\_RESTO PLAN.DWG PLOT SCALE: 1:2 PLOT DATE: 11/22/2022 11:22 AM  
 BARR M:\AutoCAD 2011\AutoCAD 2011 Support\enu\Template\Barr\_2011\_Template.dwt Plot at 1: 10/05/2010 14:09:50



LEGEND		
EXISTING		PROPOSED
800	MAJOR CONTOUR	800
798	MINOR CONTOUR	799
[Hatched Box]	BUILDING	[Hatched Box]
[Dashed Line]	CABLE TV	[Dashed Line]
[Dashed Line]	DRAIN TILE	[Dashed Line]
[Dashed Line]	ELECTRIC (OVERHEAD)	[Dashed Line]
X	FENCE	X
[Dashed Line]	GAS	[Dashed Line]
[Dashed Line]	SANITARY SEWER	[Dashed Line]
[Circle with S]	SANITARY MANHOLE	[Circle with S]
[Circle with HC]	SIGN	[Circle with HC]
[Dashed Line]	STORM SEWER	[Dashed Line]
[Circle with ST]	STORM MANHOLE	[Circle with ST]
[Circle with T]	STORM CATCH BASIN	[Circle with T]
[Circle with T]	TELEPHONE	[Circle with T]
[Sun Symbol]	TREE	[Sun Symbol]
[Wavy Line]	TREELINE	[Wavy Line]
W	WATER MAIN	W
[Circle with X]	GATE VALVE	[Circle with X]
[Circle]	HYDRANT	[Circle]
[Solid Grey]	PAVEMENT - BITUMINOUS	[Solid Grey]
[Dotted Grey]	PAVEMENT - CONCRETE	[Dotted Grey]
[Cross-hatched]	RIPRAP	[Cross-hatched]
[Diagonal Lines]	GRAVEL SURFACE	[Diagonal Lines]
[Rectangular]	BENCH	[Rectangular]
[Grid]	RAIL	[Grid]
[Triangle]	SURVEY CONTROL POINT	[Triangle]
[Crosshair]	SITE BENCHMARK	[Crosshair]
[Circle]	SAMPLE LOCATIONS	[Circle]
[Dashed Line]	CONSTRUCTION LIMITS	[Dashed Line]
[Hatched Box]	REMOVALS	[Hatched Box]
[Dotted Grey]	CONSTRUCTION ENTRANCE	[Dotted Grey]
[Solid Grey]	EROSION CONTROL BLANKET	[Solid Grey]
[Circle]	INLET PROTECTION	[Circle]
[Dashed Line]	SILT FENCE	[Dashed Line]
[Dashed Line]	SEDIMENT CONTROL LOG	[Dashed Line]
[X]	REMOVAL - TREE	[X]
[Hatched Box]	REMOVAL - PAVEMENT	[Hatched Box]
[Dashed Line]	RETAINING WALL	[Dashed Line]
[Dashed Line]	SEEDING - TURF GRASS	[Dashed Line]



PRELIMINARY DRAFT  
 NOT FOR CONSTRUCTION

NO.	BY	CHK.	APP.	DATE	REVISION DESCRIPTION
B	JMD3	JPP	MAK	01/12/2022	ISSUED FOR 50% BCWMC
A	JMD3	JPP	MAK	12/17/2021	ISSUED FOR 30% REVIEW

CLIENT	BARR ENGINEERING CO.
BID	01/12/22
CONSTRUCTION	
CITY REVIEW	
RELEASED TO/FOR	A B C D 0 1 2
DATE RELEASED	

**BARR**  
 Project Office:  
 BARR ENGINEERING CO.  
 4300 MARKETPOINTE DRIVE  
 Suite 200  
 MINNEAPOLIS, MN 55435  
 Corporate Headquarters:  
 Minneapolis, Minnesota  
 Ph: 1-800-632-2277  
 Fax: (952) 832-2601  
 www.barr.com

Scale	AS SHOWN
Date	05/13/2020
Drawn	CWF
Checked	JPP
Designed	BARR
Approved	MAK

**BASSETT CREEK WMC**  
 MINNEAPOLIS, MN

BRYN MAWR MEADOWS WQ IMPROVEMENTS	
MINNEAPOLIS, MN	
RESTORATION PLAN	

BARR PROJECT No.	
23/27-1887.00	
CLIENT PROJECT No.	
DWG. No.	REV. No.
R1.0	B